

essentials

your style. your comfort. your health.



the chair with a see-through top



With its distinctive high impact black mesh back, the Essentials Series from RFM Seating[®] provides both high style and versatility. Models 160,161 and 162 have a mesh back with a seat created with a high density, highly resilient foam cushion. The 167 model is a fresh and attractive addition to the Essentials Series with its stylish mesh back and seat. All models feature an enhanced lumbar system to support virtually all back shapes and sizes, offering exceptional comfort and a unique style – all at a price that makes it an essential for any office setting.



B



C

Mesh fabric

Extra lumbar support

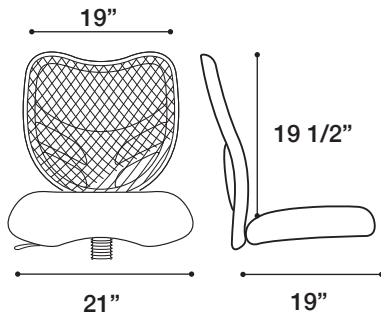
A good fit for every body

For more than 35 years, RFM Seating has built a reputation for offering workplace seating that focuses on ergonomics, smart style and solid craftsmanship. Based in the Pacific Northwest, RFM Seating offers chairs made to fit the individual with one of the largest selections of options available. RFM Seating's flexibility and commitment to customer service means Essentials orders ship in just 48 hours.

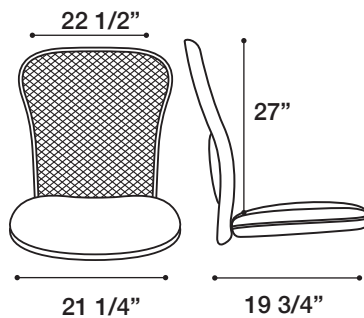
To learn more about how RFM Seating solutions can be a good fit for your, call us at 800.447.5542 or visit our web site at www.rfmseating.com.

- A:** ESSENTIALS 167
Black Air Mesh
- B:** ESSENTIALS 161
Black Air Mesh
- C:** ESSENTIALS 162
Black Leather

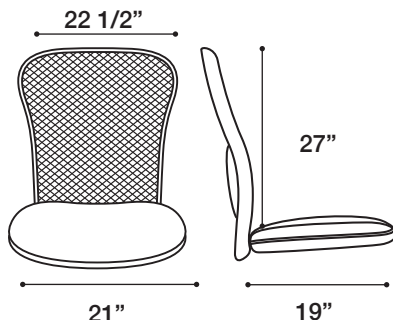
essentials



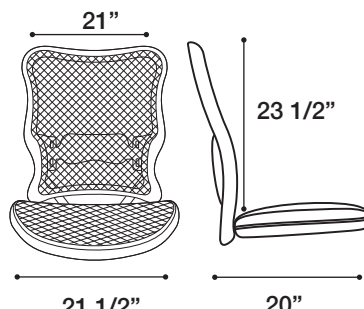
MODEL 160



MODEL 161



MODEL 162



MODEL 167

FEATURES & BENEFITS

- » Accommodates up to 300 lbs.
- » Meets CAL 117-2013
- » 27" base standard
- » Model 162 has adjustable lumbar support providing a 4" vertical range to support all back sizes
- » High density, highly resilient seat cushion foam
- » Model 167 locks into 5 different positions within the full tilt range
- » Model 162 features the 2:1 knee synchro
- » The 167 has a mesh seat and back
- » Models 160 and 167 come with seat slider standard
- » Model 167 features the multi-function armrest which has 4 position adjustments to fit any job task
- » Headrest available on Models 161 and 162
- » The 167 has a padded waterfall front edge