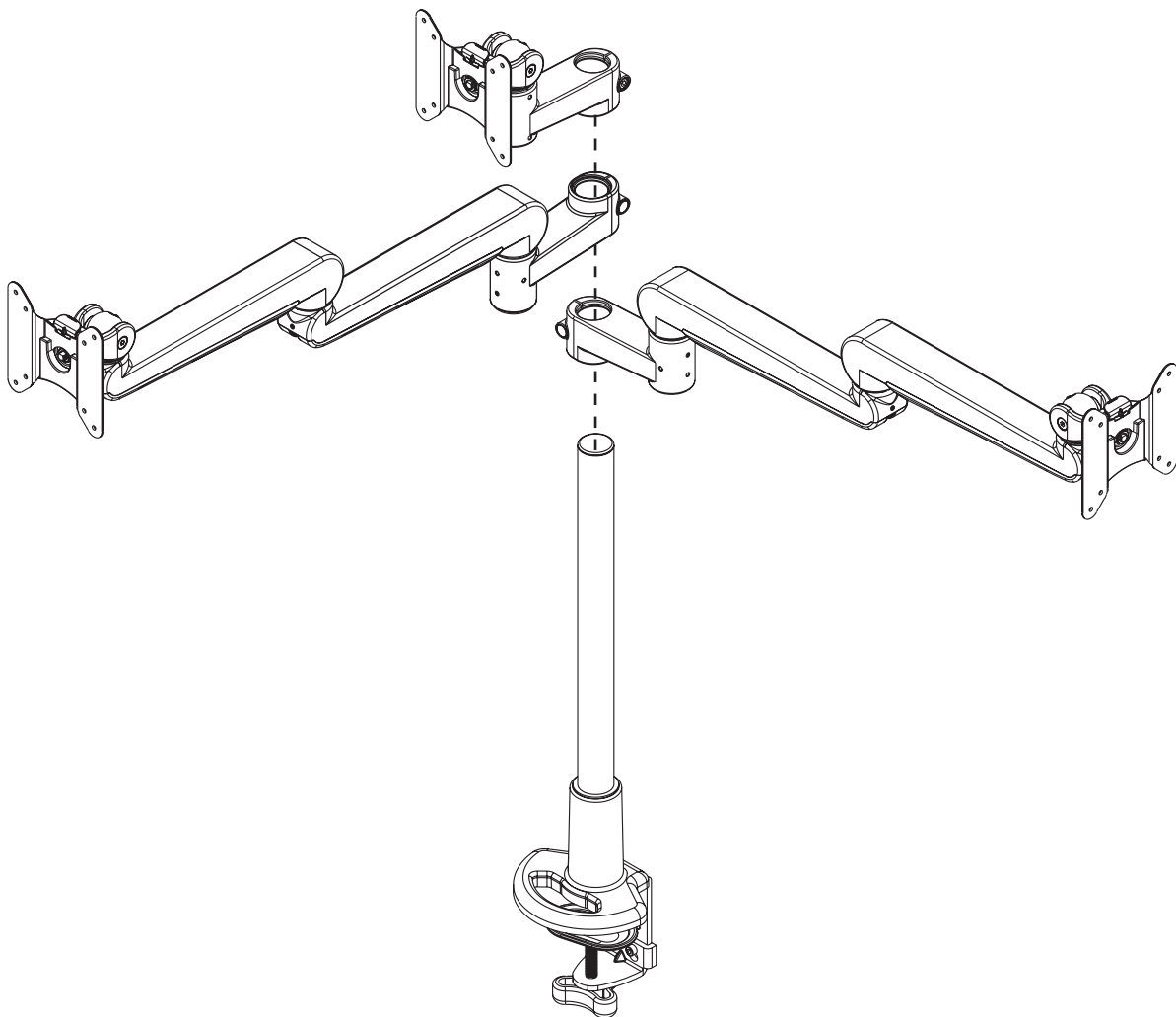


EVOLVE

MONITOR ARM SERIES

UNIVERSAL ASSEMBLY GUIDE



PHONE: 800.833.3746
EMAIL: customerservice@esiergo.com
WEB: esiergo.com

TABLE OF CONTENTS

BASIC COMPONENTS

BASIC COMPONENTS 4

CONFIGURATIONS

F - Fixed/ FS - Fixed Slider

- EVOLVE1-F (SINGLE) 6
- EVOLVE1-FS (SINGLE)..... 6
- EVOLVE2-F (DUAL) 6
- EVOLVE2-FS (DUAL) 6

M - Motion / MS - Motion Slider

- EVOLVE1-M (SINGLE) 7
- EVOLVE1-MS (SINGLE) 7
- EVOLVE2-M (DUAL)..... 7
- EVOLVE2-MS (DUAL)..... 7

FF - Fixed Fixed / FFS - Fixed Fixed Slider

- EVOLVE1-FF (SINGLE)..... 8
- EVOLVE1-FFS (SINGLE)..... 8
- EVOLVE2-FF (DUAL) 8
- EVOLVE2-FFS (DUAL) 8
- EVOLVE3-FF (TRIPLE) 8
- EVOLVE3-FFS (TRIPLE) 8

FM - Fixed Motion / FMS - Fixed Motion Slider

- EVOLVE1-FM (SINGLE) 9
- EVOLVE1-FMS (SINGLE) 9
- EVOLVE2-FM (DUAL)..... 9
- EVOLVE2-FMS (DUAL) 9
- EVOLVE3-FM (TRIPLE) 9
- EVOLVE3-FMS (TRIPLE)..... 9

ASSEMBLY STEPS

- 1. POLE MOUNT 10
- 2. ARM STEMS 13
- 3. ATTACH ARMS 14
- 4. DISPLAY MOUNTS 16
- 5. ATTACH DISPLAY 18
- 6. ADJUST TENSION 19
- 7. LOCK FEATURES..... 20
- 8. CABLE MANAGEMENT 22

OTHER

ALLEN KEY STORAGE 23

NOTES

FOR QUAD AND SIX DISPLAY CONFIGURATIONS,
A 28" POLE IS REQUIRED.

QUAD DISPLAYS: Repeat the **DUAL ASSEMBLY (EVOLVE2)**
on the 28" pole.

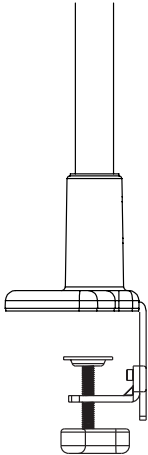
EVOLVE4-M	EVOLVE4-FF	EVOLVE4-FM
EVOLVE4-MS	EVOLVE4-FFS	EVOLVE4-FMS

SIX DISPLAYS: Repeat the **TRIPLE ASSEMBLY (EVOLVE3)**
on the 28" pole.

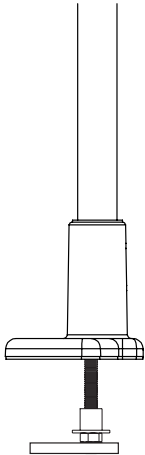
EVOLVE6-FF	EVOLVE6-FM
EVOLVE6-FFS	EVOLVE6-FMS

BASIC COMPONENTS

POLE MOUNTS

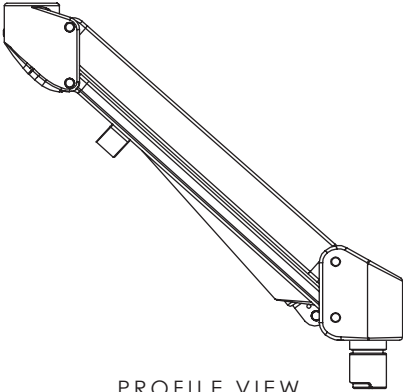


DESK CLAMP

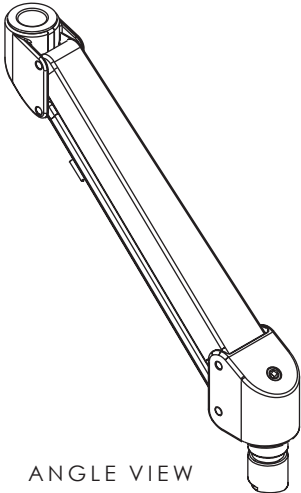


GROMMET MOUNT

MOTION ARM

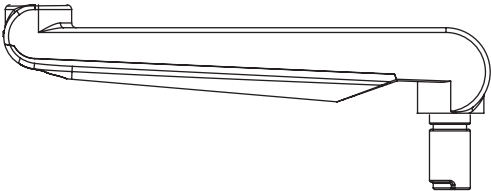


PROFILE VIEW

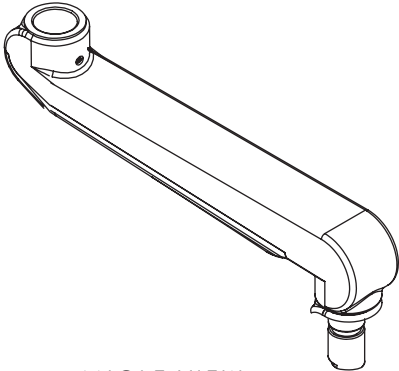


ANGLE VIEW

FIXED ARM



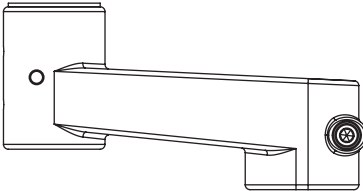
PROFILE VIEW



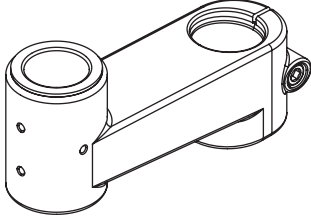
ANGLE VIEW

BASIC COMPONENTS

ARM STEM

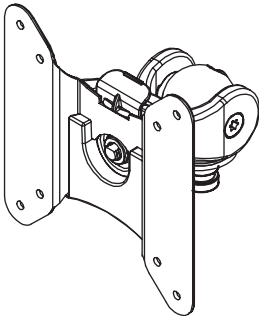


PROFILE VIEW



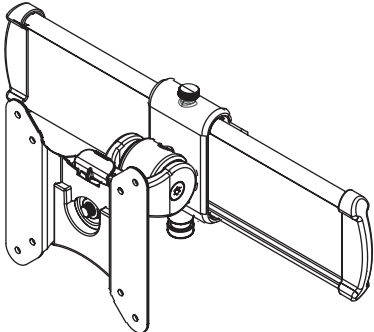
ANGLE VIEW

VESA MOUNT



DISPLAY MOUNT

SLIDER MOUNT



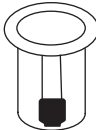
DISPLAY MOUNT

STANDARD BUSHING



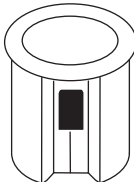
PREINSTALLED ON ARM STEM & FIXED ARM

SMALL BUSHING



FOR VESA & SLIDER MOUNTS

REDUCER BUSHING



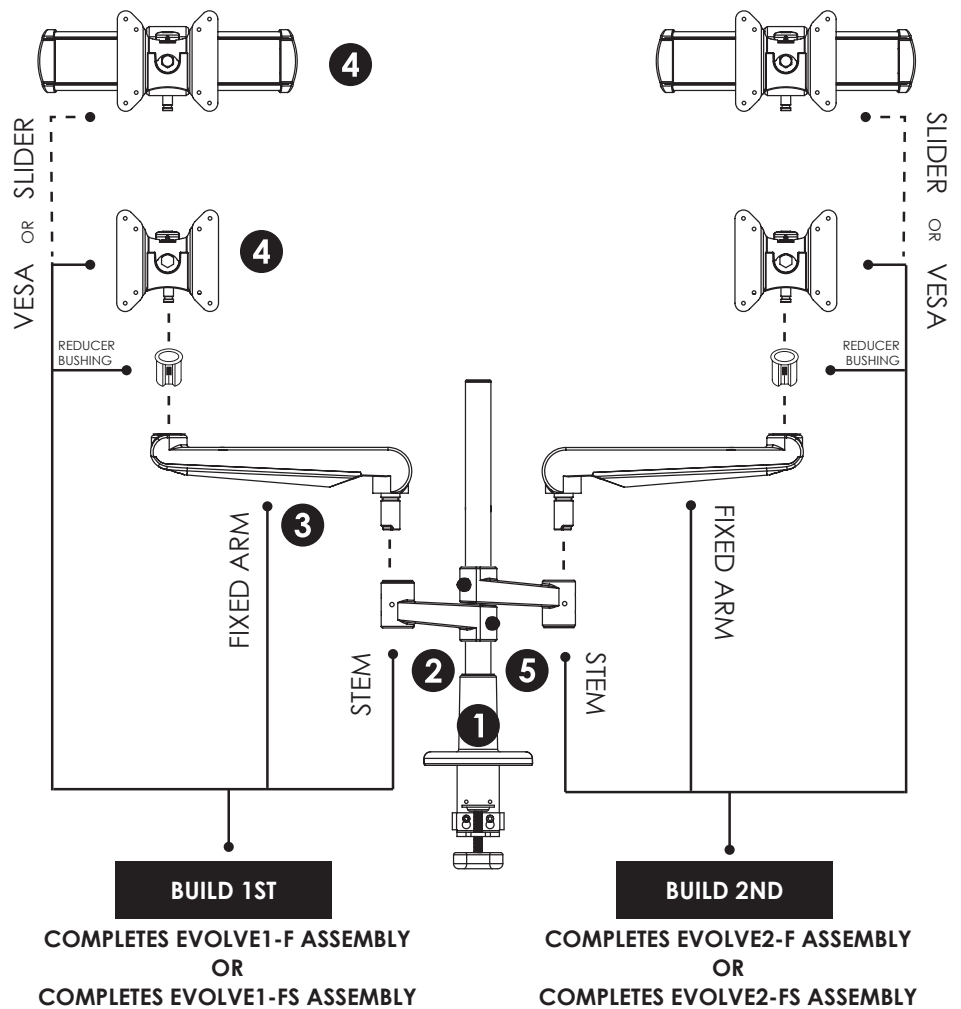
FOR VESA & SLIDER MOUNTS

EVOLVE1-F • EVOLVE1-FS EVOLVE2-F • EVOLVE2-FS

MORE COMPLETE INSTRUCTIONS FOR PART ASSEMBLY CAN BE FOUND ON THE PAGE NUMBERS LISTED BELOW.

This may include, but is not limited to, screws, adjustment knobs, bushings and surface protection.

- 1 POLE MOUNT (PG. 10)**
Secure *POLE MOUNT* to work surface.
- 2 ARM STEM (PG. 13)**
Slide *ARM STEM* over pole and secure in place with the **5mm Allen Key**.
- 3 FIXED ARM (PG. 14)**
Insert *FIXED ARM* to *ARM STEM*.
- 4 VESA OR SLIDER (PG. 17)**
Attach *REDUCER BUSHING* to *VESA OR SLIDER*. Insert *VESA OR SLIDER* to *FIXED ARM*.
- 5 DUAL (PG. 13)**
For dual display configurations, reverse the second *ARM STEM* on the pole. Then, repeat configuration on second *ARM STEM*.
- 6 VESA PLATE (PG. 18)**
Attach *VESA* plate to back of monitor.
- 7 QUICK RELEASE (PG. 18)**
Attach displays using the **Quick Release** Feature.
- 8 TENSION (PG. 19)**
Adjust tension on *VESA* or *SLIDER*.

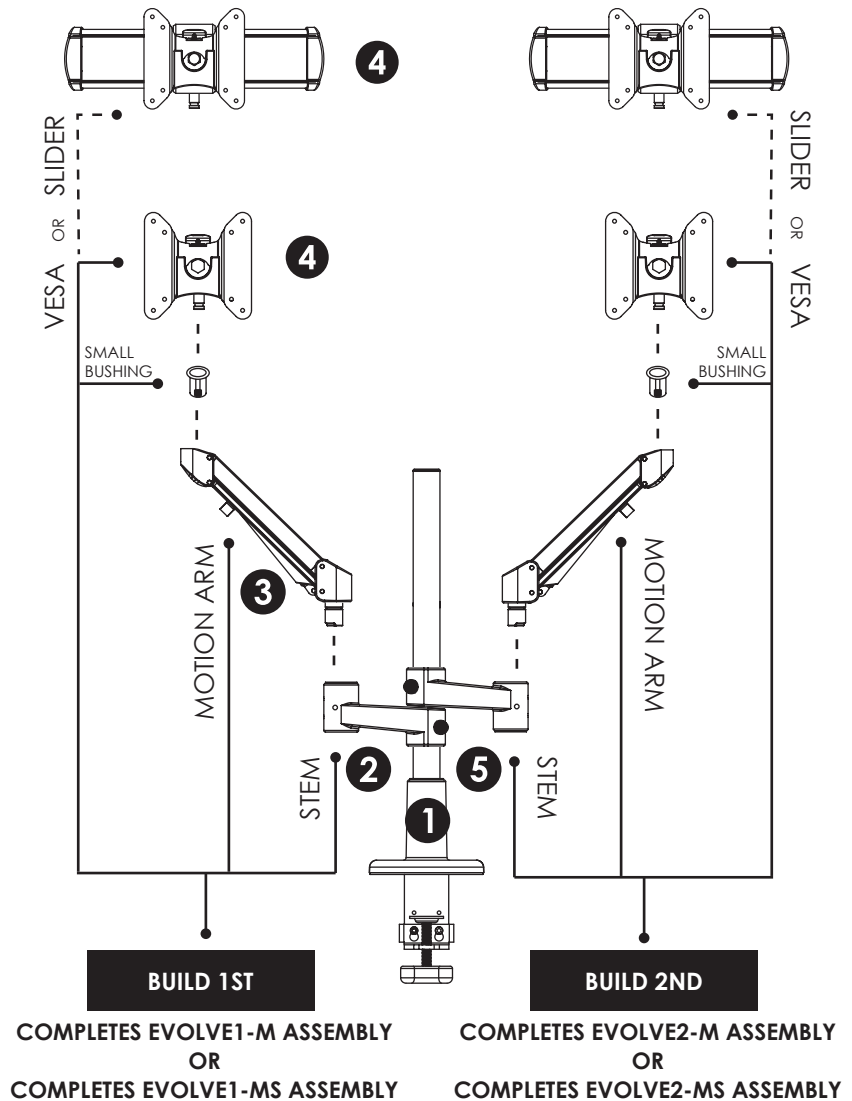


EVOLVE1-M • EVOLVE1-MS EVOLVE2-M • EVOLVE2-MS

MORE COMPLETE INSTRUCTIONS FOR PART ASSEMBLY CAN BE FOUND ON THE PAGE NUMBERS LISTED BELOW.

This may include, but is not limited to, screws, adjustment knobs, bushings and surface protection.

- 1 POLE MOUNT (PG. 10)**
Secure *POLE MOUNT* to work surface.
- 2 ARM STEM (PG. 13)**
Slide *ARM STEM* over pole and secure in place with the **5mm Allen Key**.
- 3 MOTION ARM (PG. 14)**
Insert *MOTION ARM* to *ARM STEM*.
- 4 VESA OR SLIDER (PG. 17)**
Attach *REDUCER BUSHING* to *VESA OR SLIDER*. Insert *VESA OR SLIDER* to *MOTION ARM*.
- 5 DUAL (PG. 13)**
For dual display configurations, reverse the second *ARM STEM* on the pole. Then, repeat configuration on second *ARM STEM*.
- 6 VESA PLATE (PG. 18)**
Attach *VESA* plate to back of monitor.
- 7 QUICK RELEASE (PG. 18)**
Attach displays using the **Quick Release** Feature.
- 8 TENSION (PG. 19)**
Adjust tension on *VESA* or *SLIDER*.

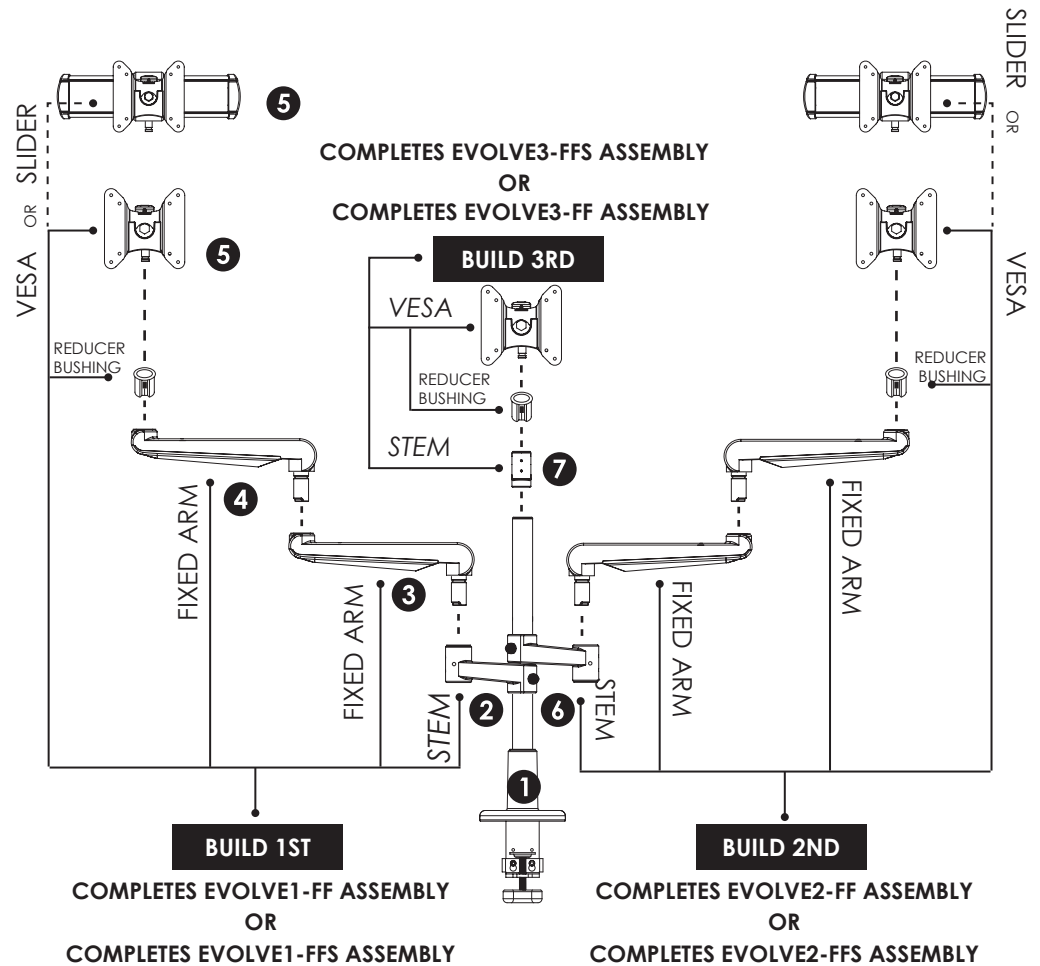


EVOLVE1-FF • EVOLVE2-FF • EVOLVE3-FF EVOLVE1-FFS • EVOLVE2-FFS • EVOLVE3-FFS

MORE COMPLETE INSTRUCTIONS FOR PART ASSEMBLY CAN BE FOUND ON THE PAGE NUMBERS LISTED BELOW.

This may include, but is not limited to, screws, adjustment knobs, bushings and surface protection.

- 1 POLE MOUNT (PG. 10)**
Secure *POLE MOUNT* to work surface.
- 2 ARM STEM (PG. 13)**
Slide *ARM STEM* over pole and secure in place with the **5mm Allen Key**.
- 3 FIXED ARM (PG. 14)**
Insert *FIXED ARM* to *ARM STEM*.
- 4 FIXED ARM (PG. 16)**
Insert *FIXED ARM* to *FIXED ARM*.
- 5 VESA OR SLIDER (PG. 17)**
Attach *REDUCER BUSHING* to *VESA OR SLIDER*. Insert *VESA OR SLIDER* to *FIXED ARM*.
- 6 DUAL (PG. 13)**
For dual display configurations, reverse the second *ARM STEM* on the pole. Then, repeat configuration on second *ARM STEM*.
- 7 TRIPLE (PG. 13)**
For triple display configurations, reverse the 2nd *ARM STEM* on the pole, then add a third *ARM STEM*.
(PG. 16) Attach *REDUCER BUSHING* to *VESA* and insert *VESA* to third *ARM STEM*.
- 8 VESA PLATE (PG. 18)**
Attach *VESA* plate to back of monitor.
- 9 QUICK RELEASE (PG. 18)**
Attach displays using the **Quick Release** Feature.
- 10 TENSION (PG. 19)**
Adjust tension on *VESA* and/or *SLIDER*.

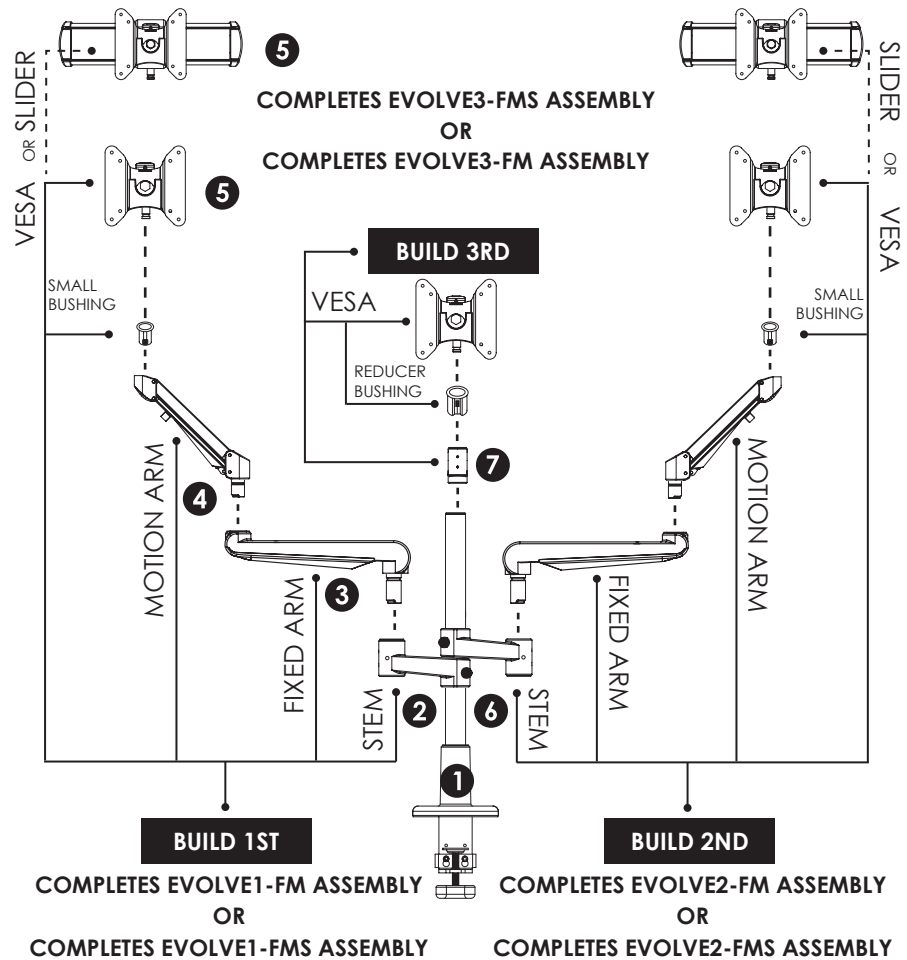


EVOLVE1-FM • EVOLVE2-FM • EVOLVE3-FM EVOLVE1-FMS • EVOLVE2-FMS • EVOLVE3-FMS

MORE COMPLETE INSTRUCTIONS FOR PART ASSEMBLY CAN BE FOUND ON THE PAGE NUMBERS LISTED BELOW.

This may include, but is not limited to, screws, adjustment knobs, bushings and surface protection.

- 1 POLE MOUNT (PG. 10)**
Secure *POLE MOUNT* to work surface.
- 2 ARM STEM (PG. 13)**
Slide *ARM STEM* over pole and secure in place with the **5mm Allen Key**.
- 3 FIXED ARM (PG. 14)**
Insert *FIXED ARM* to *ARM STEM*.
- 4 MOTION ARM (PG. 14)**
Insert *MOTION ARM* to *FIXED ARM*.
- 5 VESA OR SLIDER (PG. 17)**
Attach *SMALL BUSHING* to *VESA* or *SLIDER*. Insert *VESA* or *SLIDER* to *MOTION ARM*.
- 6 DUAL (PG. 13)**
For dual display configurations, reverse the second *ARM STEM* on the pole. Then, repeat configuration on second *ARM STEM*.
- 7 TRIPLE (PG. 13)**
For triple display configurations, reverse the 2nd *ARM STEM* on the pole, then add a third *ARM STEM*.
(PG. 16) Attach *REDUCER BUSHING* to *VESA* and insert *VESA* to third *ARM STEM*.
- 8 VESA PLATE (PG. 18)**
Attach *VESA* plate to back of monitor.
- 9 QUICK RELEASE (PG. 18)**
Attach displays using the **Quick Release** Feature.
- 10 TENSION (PG. 17)**
Adjust tension on *MOTION ARM*.
(PG. 17) Adjust tension on *VESA* and/or *SLIDER*.



STEP 1

POLE MOUNT

You will receive parts to accommodate either the *DESK CLAMP MOUNT* or the *GROMMET MOUNT*

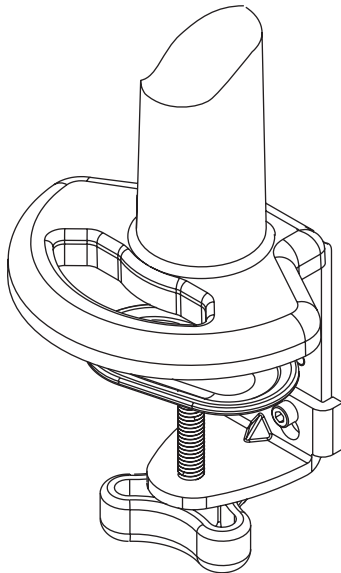
1

OPTION 1

DESK CLAMP (PG.15)

Secure pre-assembled *DESK CLAMP MOUNT* to work surface.

For work surfaces between
0.6" - 2.99" thick.



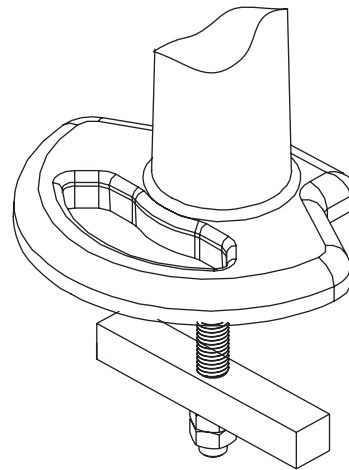
2

OPTION 2

GROMMET MOUNT (PG. 16)

Convert the *DESK CLAMP MOUNT* to a
GROMMET MOUNT

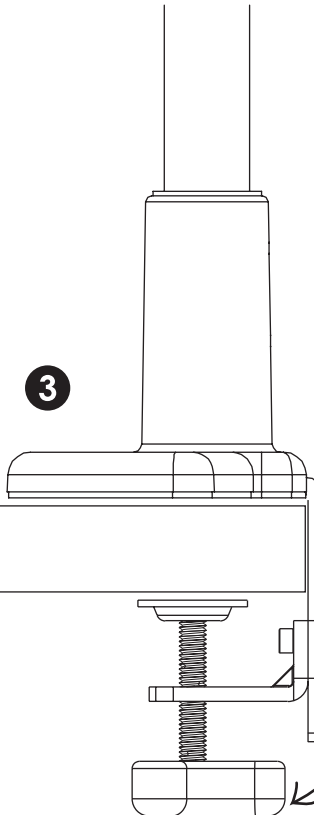
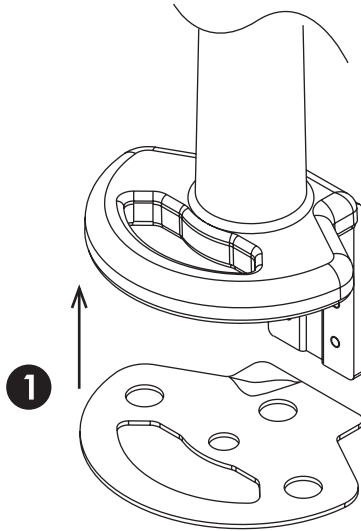
For work surfaces up to
1.5" thick.



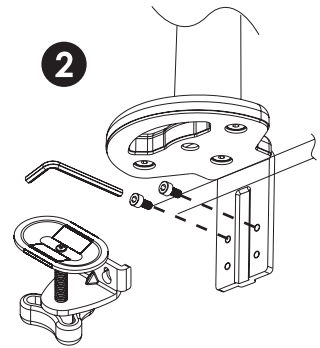
DESK CLAMP ASSEMBLY

FOR WORK SURFACES 0.66"-2.2"

- 1 STEP 1**
Adhere the adhesive pad underneath the base to protect the work surface.
- 2 STEP 2 (OPTIONAL)**
Adjust clamp positioning to accommodate a thicker work surface.
- 3 STEP 3**
Slide onto work surface to desired position
- 4 STEP 4**
Twist to tighten the desk clamp on the work surface.

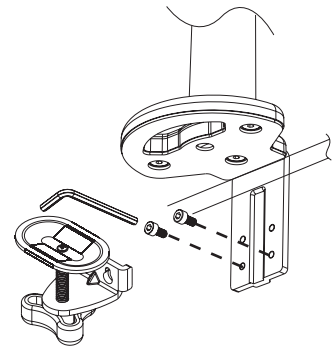


OPTIONAL ADJUSTMENT FOR THICKER WORK SURFACES 1.38"-2.99"



STEP 2A

Remove the clamping component from the upper position with the **4mm Allen Key**.



STEP 2B

Replace the clamping component in the lower position and secure with the **4mm Allen Key**.

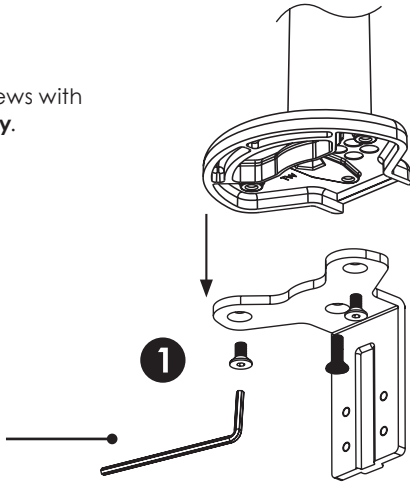
GROMMET MOUNT ASSEMBLY

FOR WORK SURFACES UP TO 1.5"

1

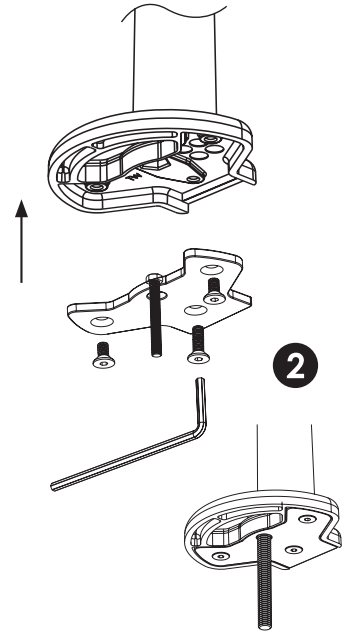
STEP 1
Remove the 3 screws with the **4mm Allen Key**.

4MM ALLEN KEY
(INCLUDED)



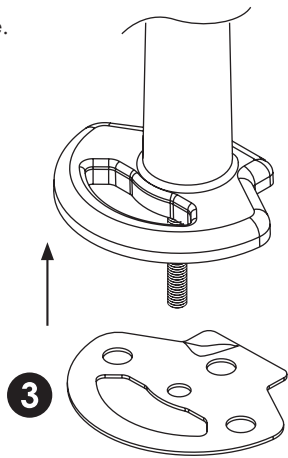
2

STEP 2
Insert the large screw to the **GROMMET PLATE** and reattach the 3 screws with the **4mm Allen Key**.



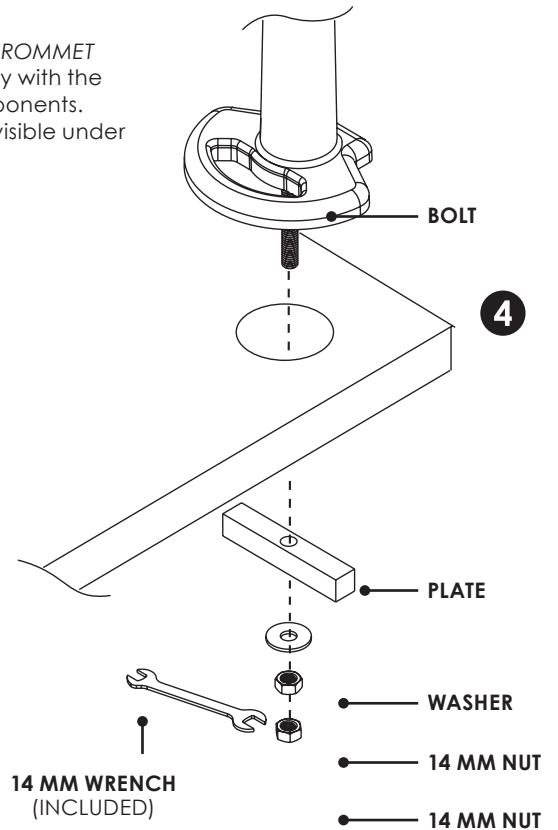
3

STEP 3
Adhere the adhesive pad underneath the base to protect the work surface.



4

STEP 4
Complete the **GROMMET MOUNT** assembly with the remaining components.
(Bolt should be visible under work surface)



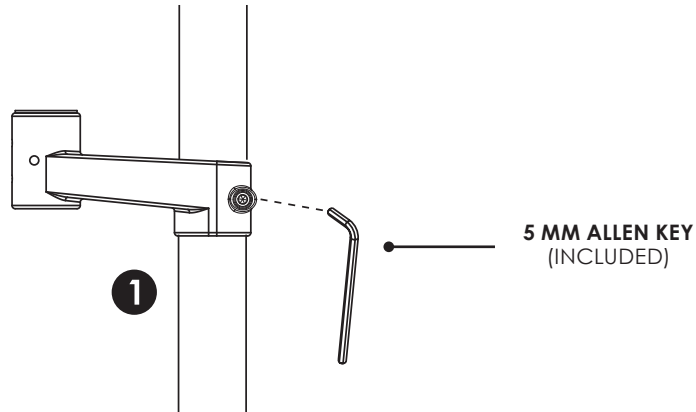
STEP 2

ARM STEM

Each diagram/step may not be applicable to your product configuration

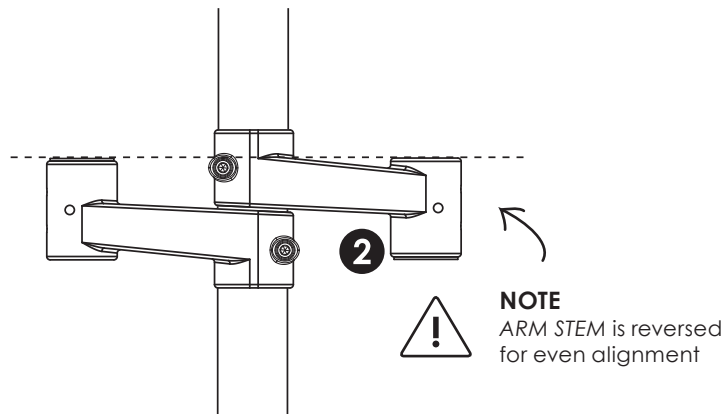
SINGLE DISPLAY CONFIGURATION

- 1 STEP 1**
Slide *ARM STEM* over pole and secure with the **5mm Allen Key**.



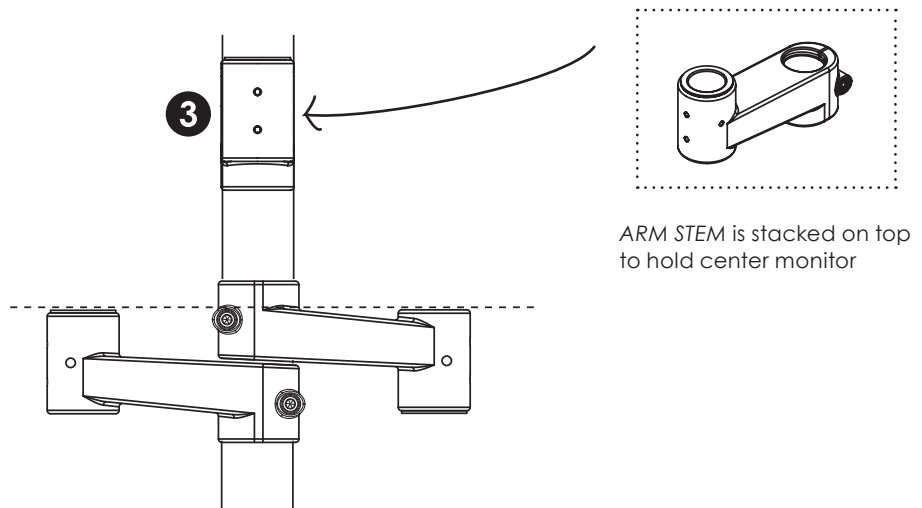
DUAL DISPLAY CONFIGURATION

- 2 STEP 2**
Reverse the second *ARM STEM*s over pole as shown and secure with the **5mm Allen Key**.



TRIPLE DISPLAY CONFIGURATION

- 3 STEP 3**
Slide *VESA ARM STEM* over pole and secure with the **5mm Allen Key**.



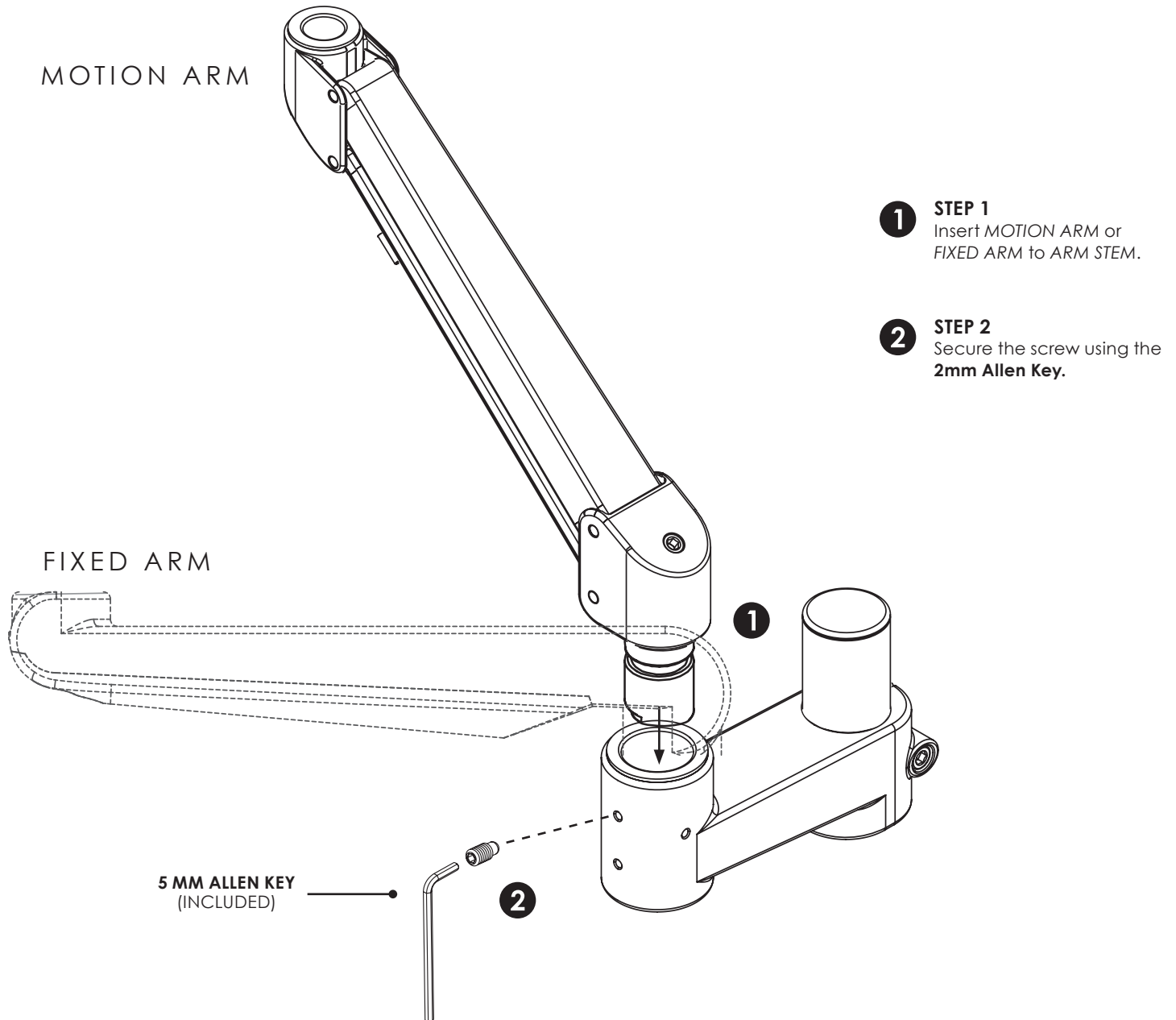
NOTE: *ARM STEM*s must be secured to pole before attaching additional components

STEP 3

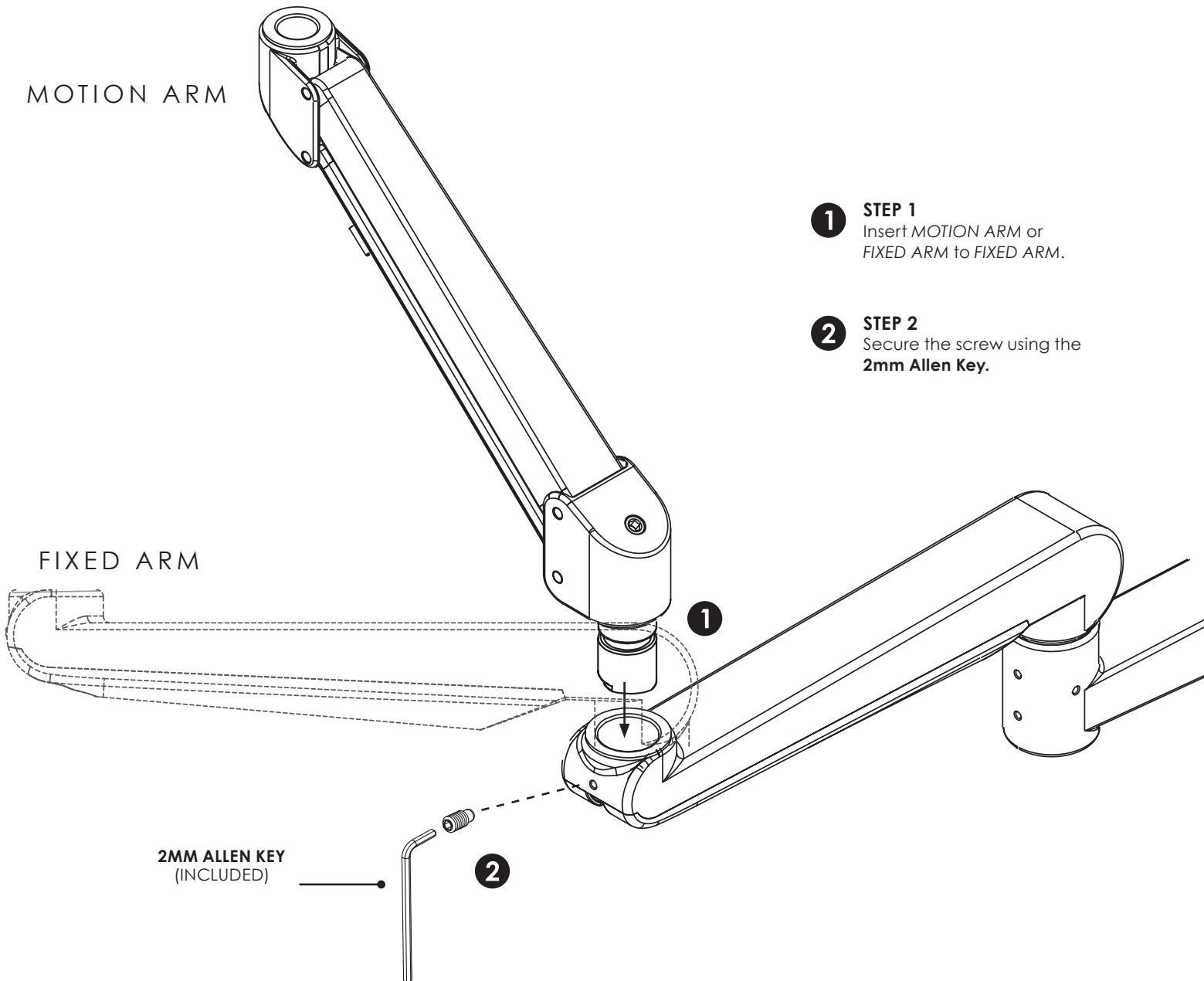
ATTACH ARMS

Each diagram/step may not be applicable to your product configuration

INSERT A MOTION ARM OR FIXED ARM INTO AN ARM STEM



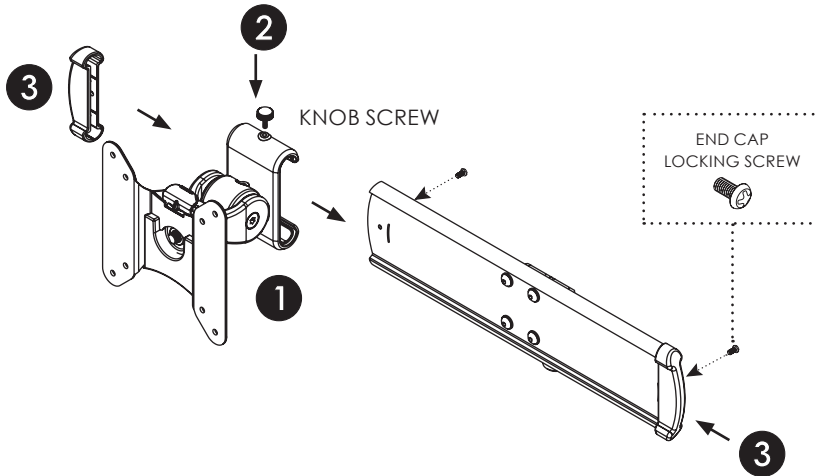
INSERT A MOTION ARM OR FIXED ARM INTO A FIXED ARM



STEP 4

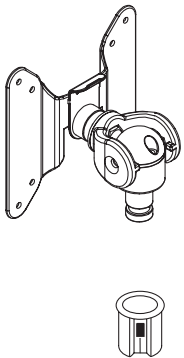
DISPLAY MOUNTS

BUILDING THE SLIDER

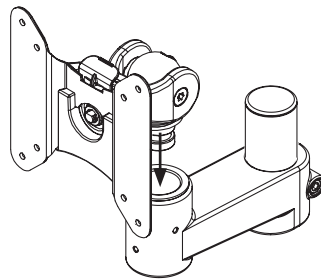


- STEP 1**
Slide the universal VESA joint to the Slider rail
- STEP 2**
Use the knob screw to lock the VESA mount to the slider plate.
- STEP 3**
Cover the SLIDER RAIL ends with the (2) side caps and lock with screw.

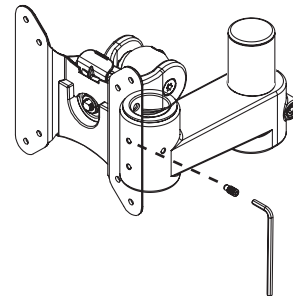
INSERT VESA TO AN ARM STEM



- STEP 1**
Attach REDUCER BUSHING onto VESA MOUNT.



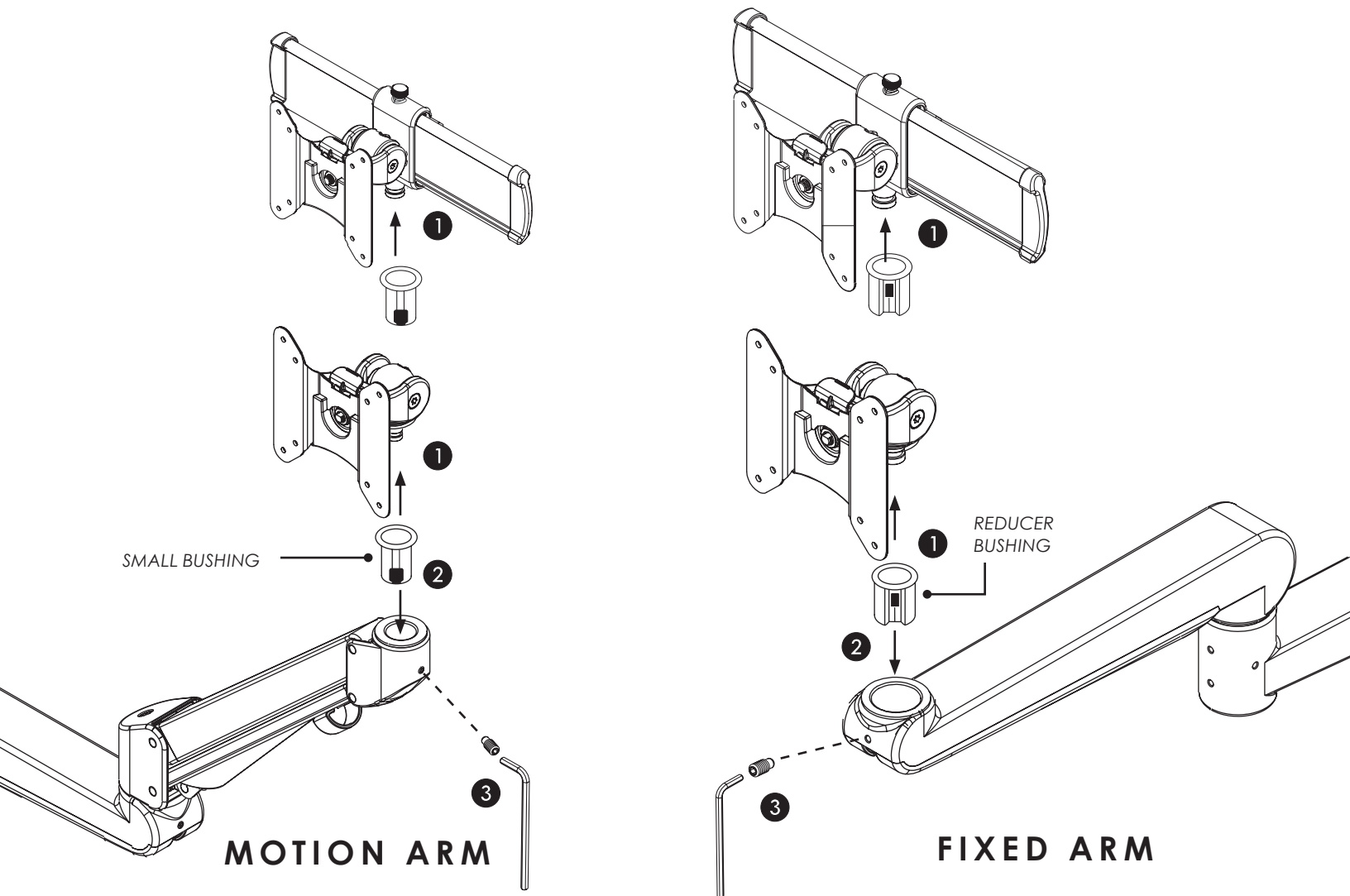
- STEP 1**
Insert VESA MOUNT to ARM STEM.



- STEP 3**
Secure the screw using the 2mm Allen Key.

Each diagram/step may not be applicable to your product configuration

INSERT VESA OR SLIDER TO A MOTION OR FIXED ARM



1 **STEP 1**
Attach *BUSHING*
onto *VESA* or *SLIDER*

2 **STEP 2**
Insert *SLIDER MOUNT* to *MOTION*
ARM or *FIXED ARM*.

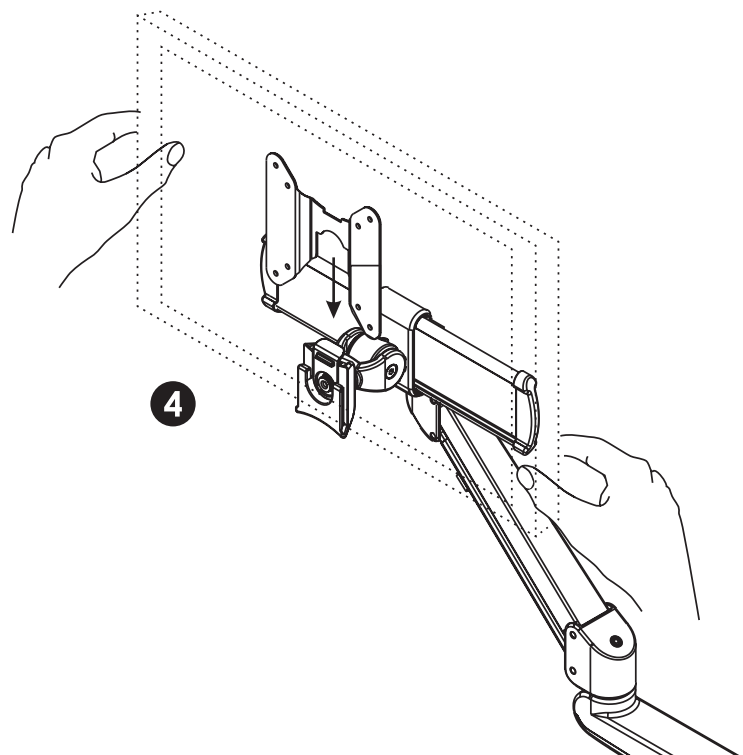
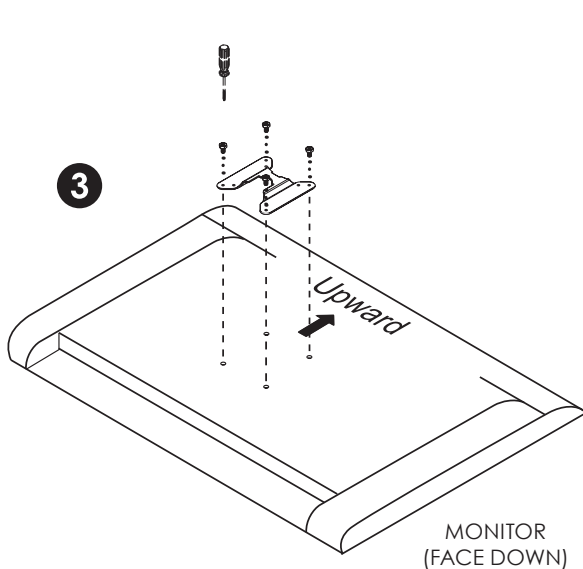
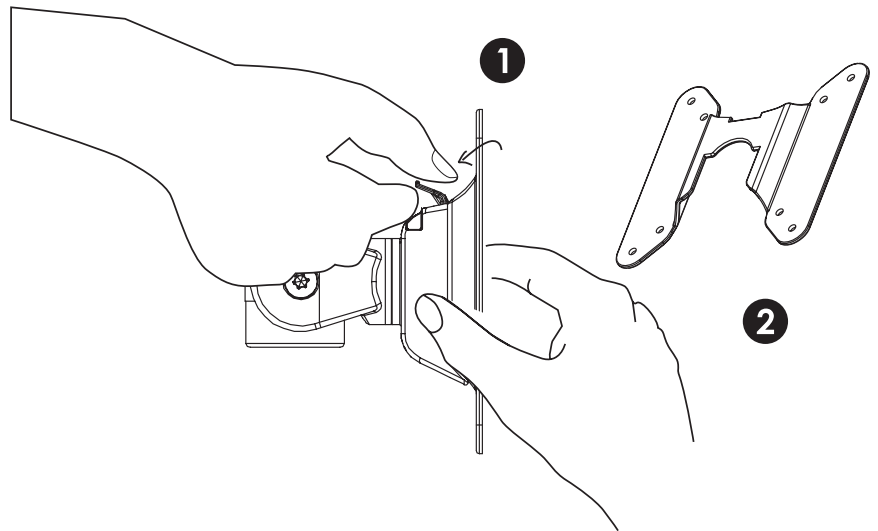
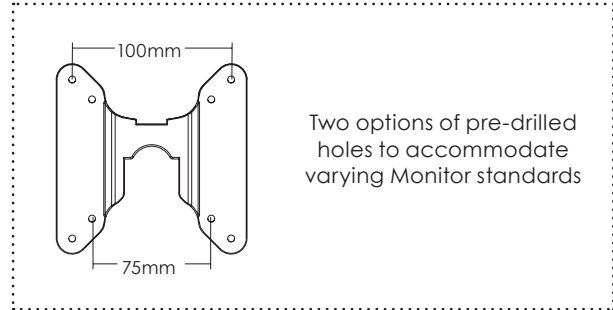
3 **STEP 3**
Secure the screw using the
2mm Allen Key.

STEP 5

ATTACH DISPLAYS

VESA plate is pre-drilled to accommodate varying Monitor standards

- STEP 1**
Pull the tab to release the quick release VESA plate.
- STEP 2**
Pull the quick release VESA plate upward to detach.
- STEP 3**
Place the monitor face down on a flat surface. Align the VESA plate holes with the back of the monitor and attach using the screws provided.
- STEP 4**
With the monitor attached, reinsert the quick release VESA plate. Ensure the monitor "clicks" securely in place.



STEP 6

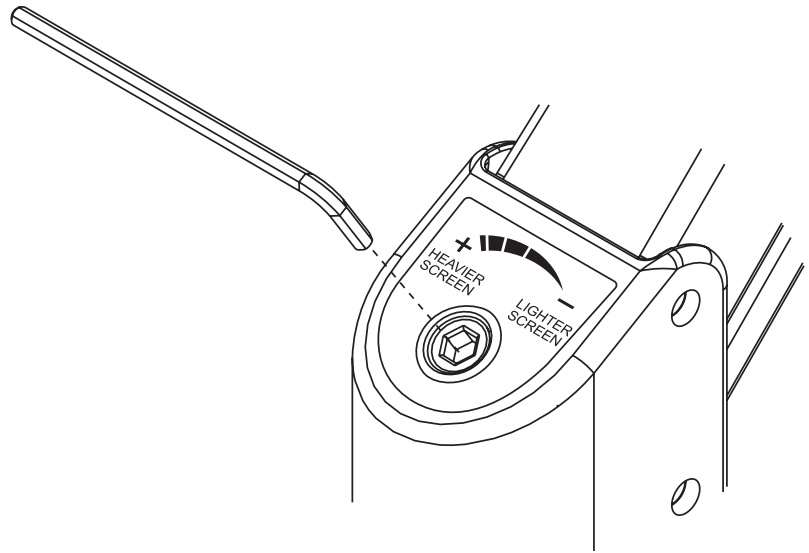
ADJUST TENSION

Adjusting the tension on your monitor arm allows for smooth adjustments.

Tension adjustment supports monitors weighing 6.6 - 17.6 lbs.

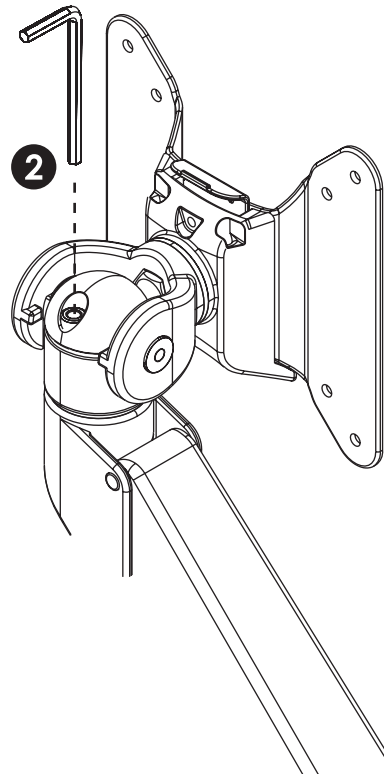
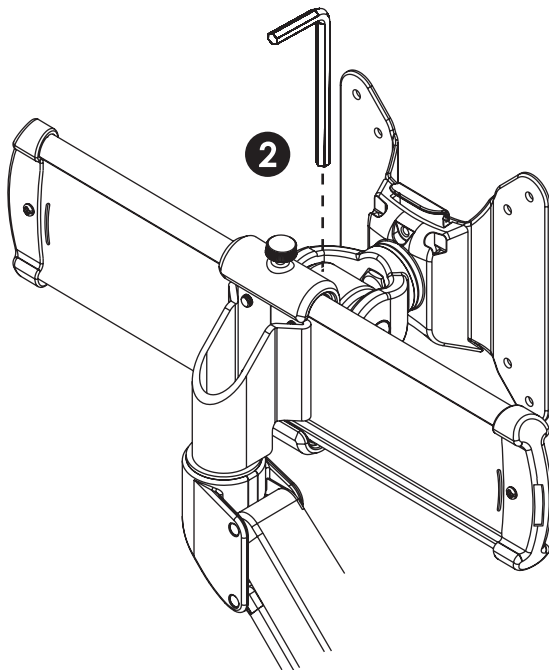
ADJUST MOTION ARM TENSION

- 1 STEP 1**
Use the **5mm Allen Key** to adjust the tension to correspond to the weight of the monitor.



ADJUST MOUNT TILT TENSION

- 2 STEP 2**
Use the **4mm Allen Key** to adjust the tension to correspond to the weight of the monitor. Twist the Allen Key in a clockwise direction for heavier monitors; counterclockwise for lighter monitors.



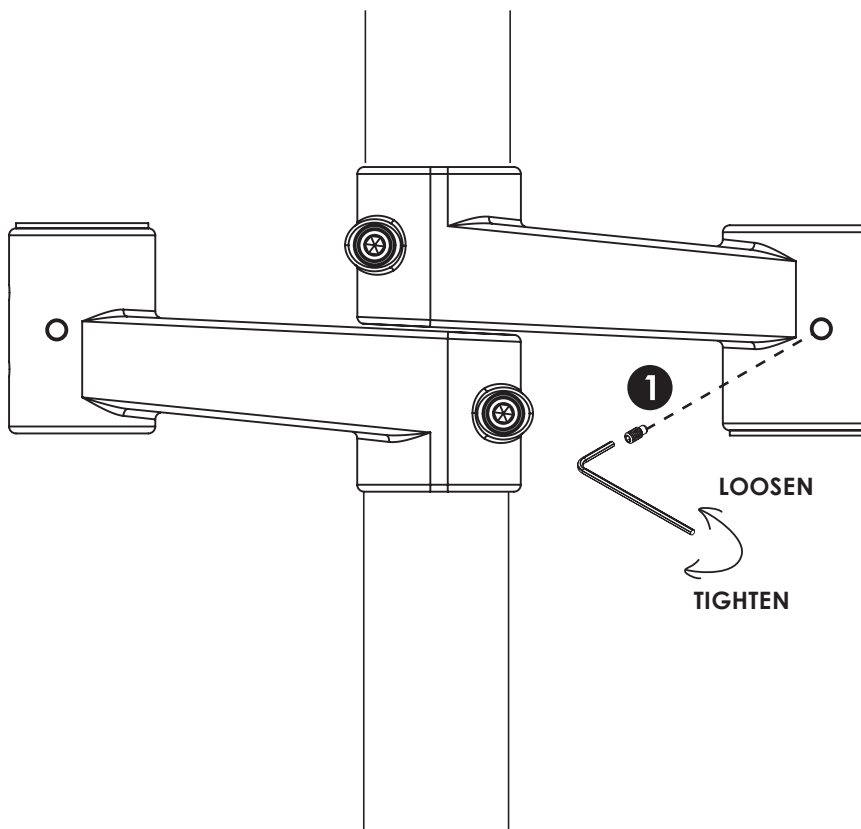
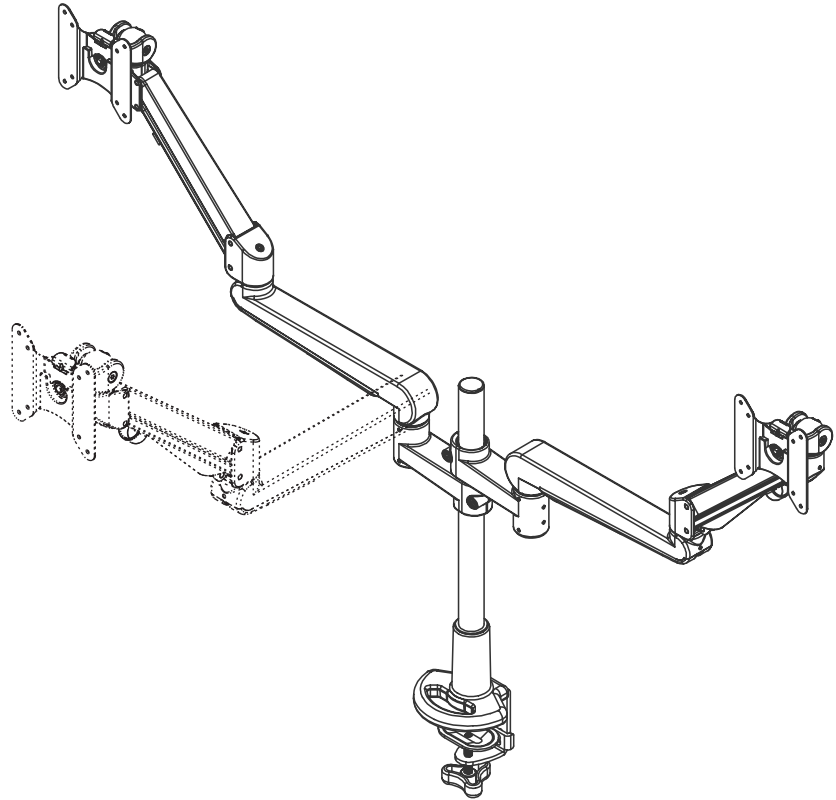
STEP 7

LOCK FEATURES

Optional Features

180° LOCK MONITOR ARM

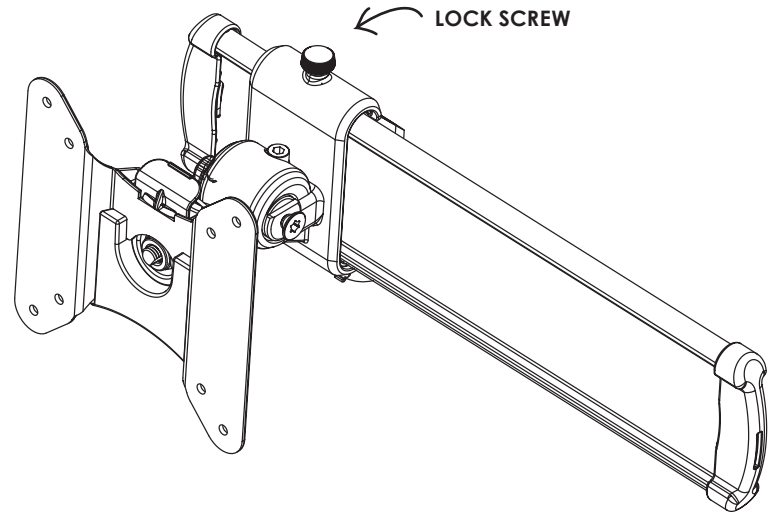
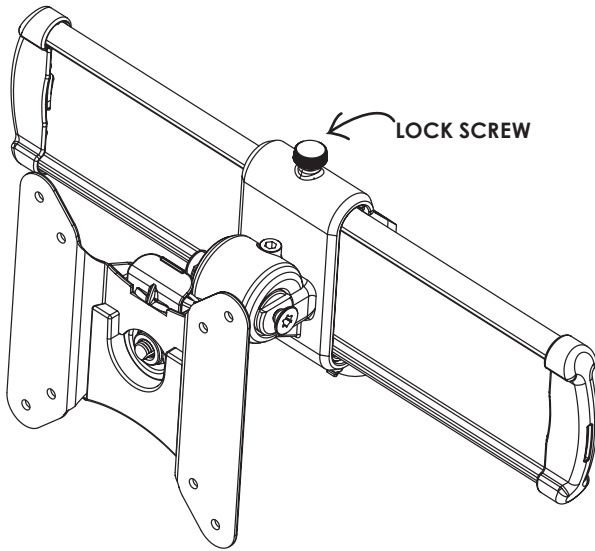
The 180° Lock-out feature allows 90° rotation towards the user, but prevents 90° rotation away from the user.



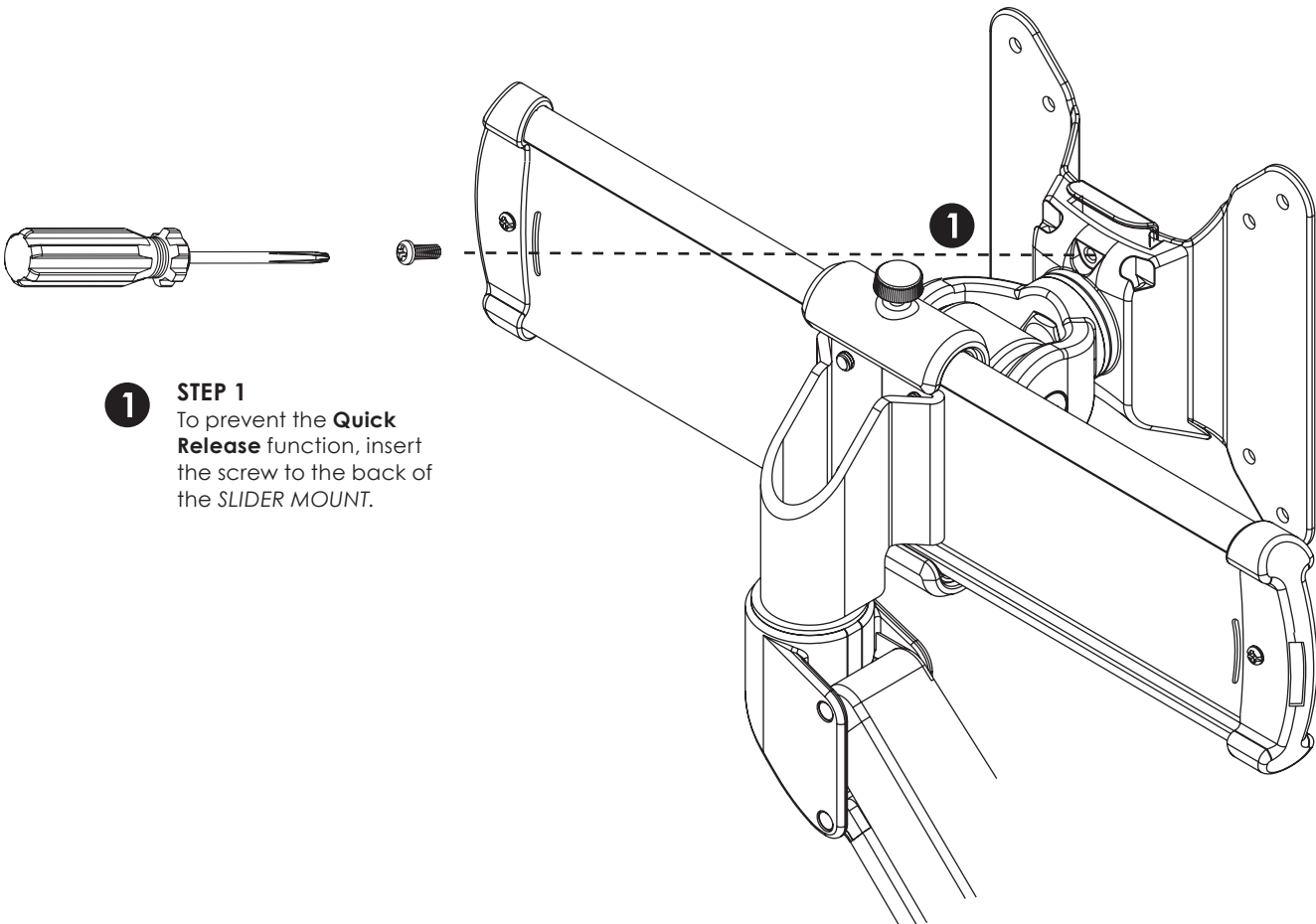
- STEP 1** Fasten the screw with the **2mm Allen Key** on the **ARM STEM** and then move the Allen Key backward one circle motion to limit arm rotation.

LOCK SLIDER PLATE

If desired, the *SLIDER MOUNT* can be secured to prevent the slider function. This will lock a monitor in position.



PREVENT VESA/SLIDER MOUNT QUICK RELEASE

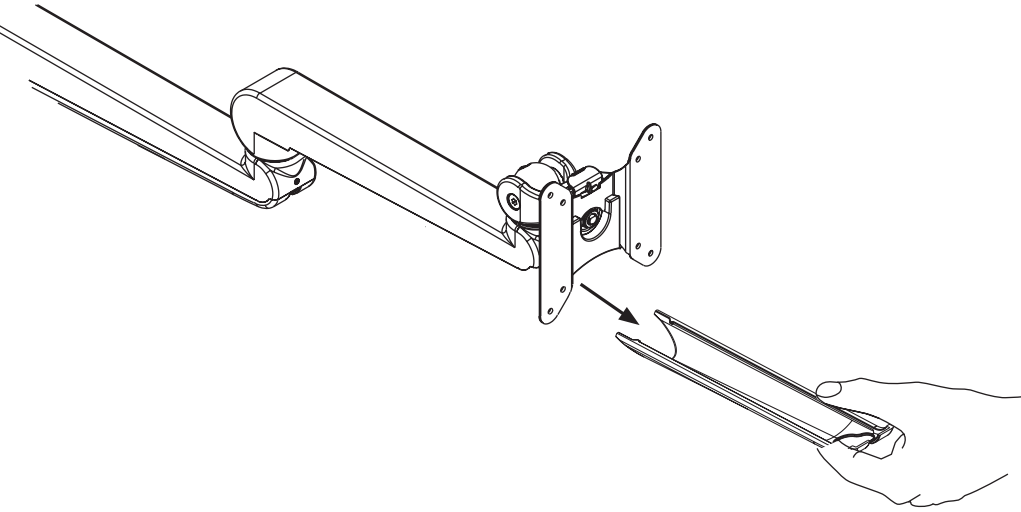


- 1** **STEP 1**
To prevent the **Quick Release** function, insert the screw to the back of the *SLIDER MOUNT*.

STEP 8

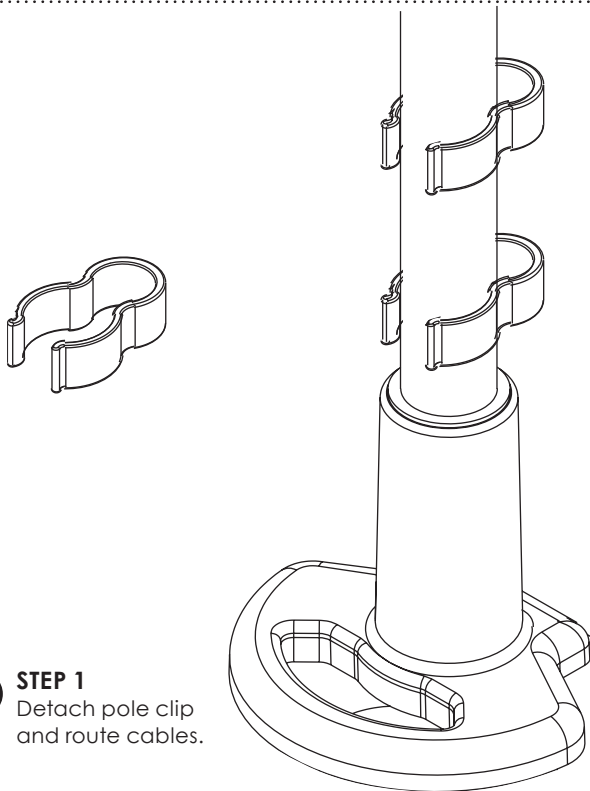
CABLE MANAGEMENT

Optional Features



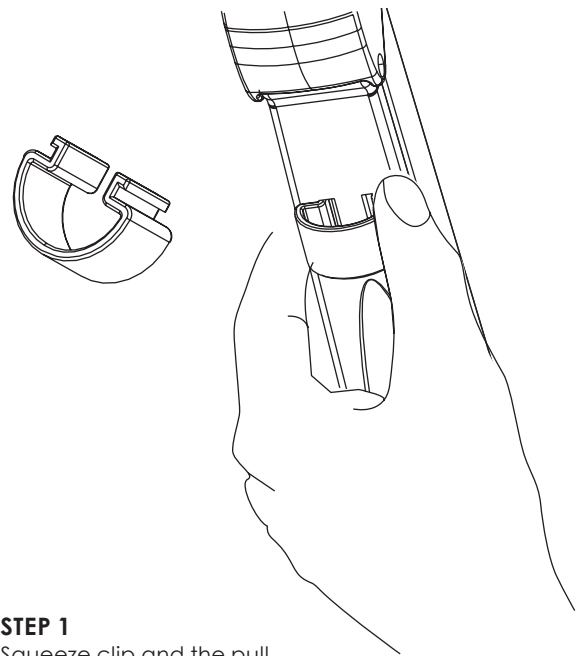
1 STEP 1
Slide cable tray outward to detach from *FIXED ARM*.

2 STEP 2
Route cables through *FIXED ARM* tray and reattach.



1 STEP 1
Detach pole clip and route cables.

2 STEP 2
Route cables through cable clip and reattach to pole.



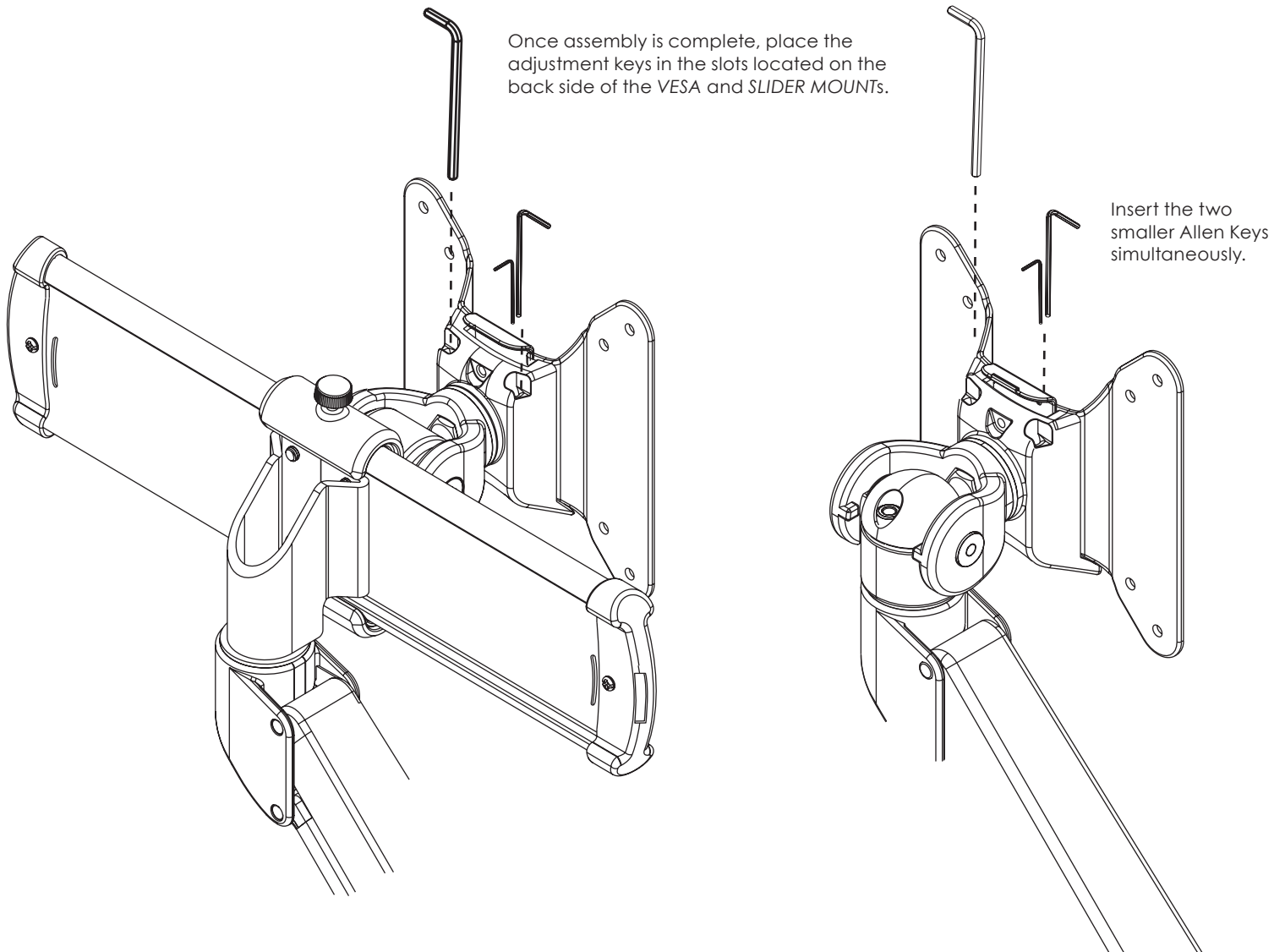
1 STEP 1
Squeeze clip and pull to detach the motion clip from the *MOTION ARM*.

2 STEP 2
Route cables through motion clip and reattach.

OTHER

ADDITIONAL FEATURES

ALLEN KEY STORAGE





Call Pacific Ergonomics

Phone: 619-546-0872

E-mail: customerservice@pacificergo.com

Website: www.pacificergo.com