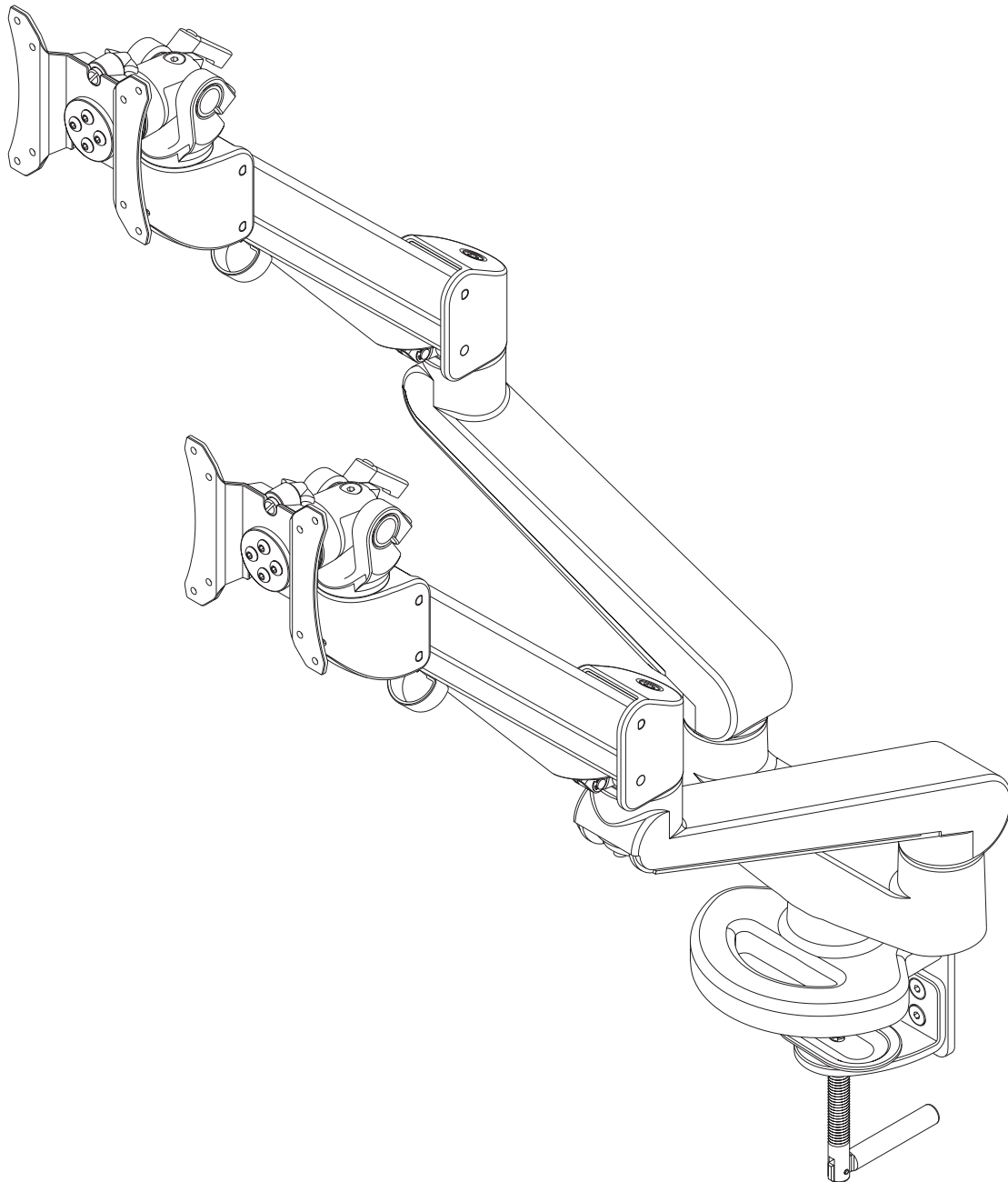


EDGE-MAX-DUAL

MONITOR ARMS

Model EDGE-MAX-DUAL-SLV

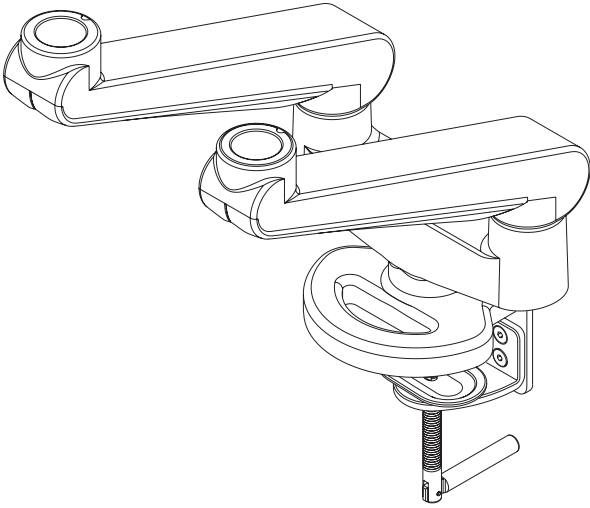
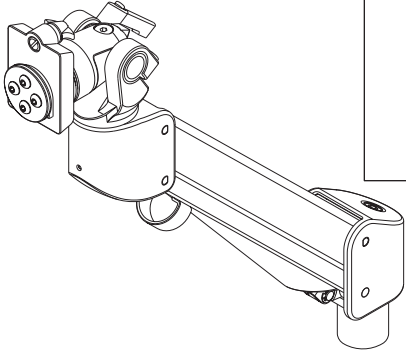
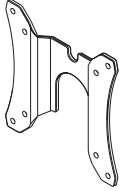

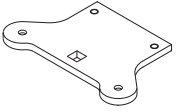
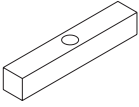




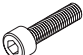




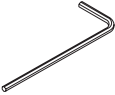
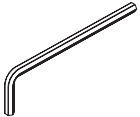
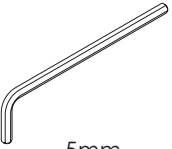
EDGE-MAX-DUAL Rev A 2/17



ASSEMBLY AND ADJUSTMENT

PLEASE REVIEW these instructions before beginning the assembly and adjustment procedures. Check that all the parts and tools listed below were provided with your order. Contact your supplier if any materials are missing. Do not discard the packaging until satisfied that the product operates to your satisfaction.

PARTS AND TOOLS PROVIDED

Base and Monitor Arm Assembly (1) 		Motion Arm Assembly (2) 		VESA Plate (2) 	
		Clamp Pad (1) 		Grommet Mount Plate (1) 	
Grommet Bar (1) 	Grommet Bolt (1)  3x3/8-16	Grommet Bolt Washer (1)  M10x27	Grommet Bolt Nut (2)  9/16x3/8-16		
VESA Plate Screw (8)  M4x10	Arm Assembly Screws (8)  M5x18	Lockout Washer (2) 	Teflon Washer (2) 		
Plastic Screw Cover (2) 	14mm Wrench (1) 	Allen Keys (1 each)  2.5mm  4mm  5mm			

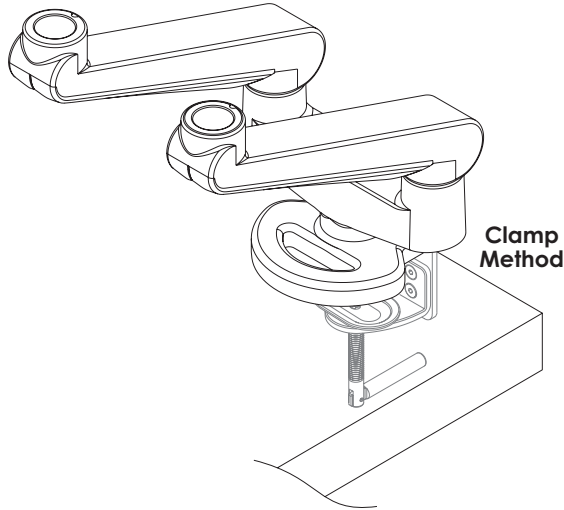
CAUTION: Hand-tighten screws only. Do **not** use power tools.

ADDITIONAL TOOLS REQUIRED

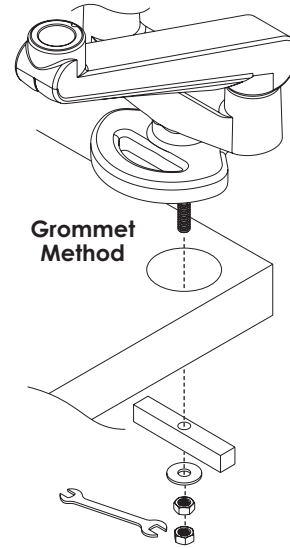
- Phillips screwdriver

Two Base and Monitor Arm Assembly Attachment Methods

- **Clamp method.** The base assembly is clamped to a table or desk surface that is between 0.32" (8mm) thick and 3.38" (86mm) thick. See below.



- **Grommet method.** The base assembly is secured through a grommet hole in the work surface, with a diameter between 0.78" (20mm) and 2" (51mm). Surface thickness must be between 0.6" (15mm) and 1.4" (36mm). See page 4.



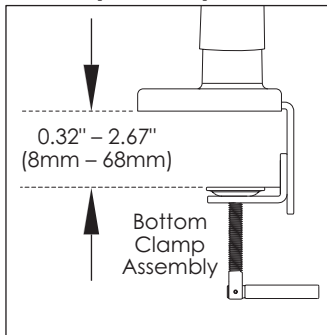
Clamp Method

The base assembly is shipped with the bottom clamp in the "upper attachment position." To change to the "lower attachment position" for thicker work surface, follow this procedure (see illustrations):

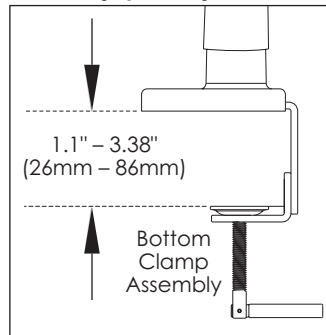
- Use the 4mm Allen key to remove the four screws holding the bottom clamp in position.
- Reattach the bottom clamp to the lower four holes. Tighten the screws securely using the Allen wrench.

CAUTION: Do not use a power drill. Clamp screws are rated at 83 in-lbs.

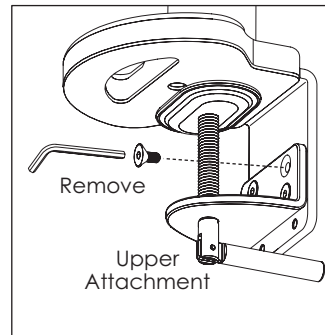
Upper Attachment Position (Standard)



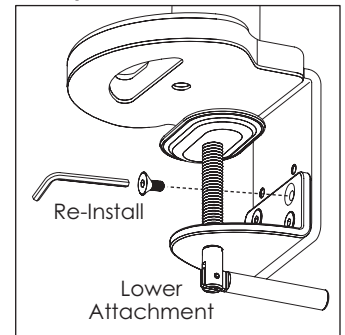
Lower Attachment Position (Optional)



To Change: 1) Remove Four Screws



2) Re-Install Screws with Clamp in Lower Position

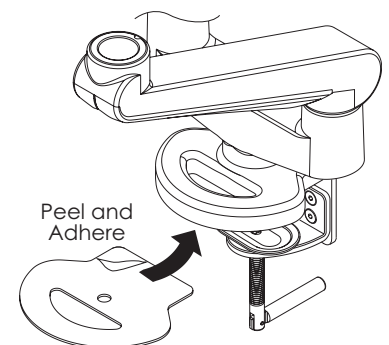


Attach Clamp Pad

- Peel the backing from the adhesive side of the clamp pad and adhere the pad to the bottom of the base, as shown. The pad protects the work surface.

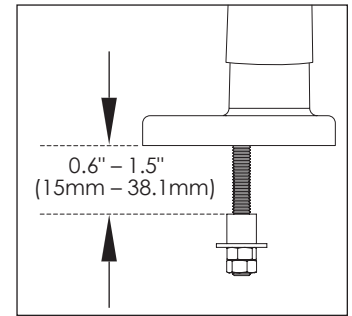
Install Base Assembly

- Clamp the base assembly to the work surface. Be sure to tighten the knob securely.
- **Proceed to "Install Motion Arm Assemblies" on page 5.**



Grommet Method

This method can be used for work surfaces that have a grommet hole in an appropriate position. Surface thickness must be between 0.6" (15mm) and 1.5" (38.1mm), and the grommet hole diameter must be between 0.78" (20mm) and 2" (51mm).

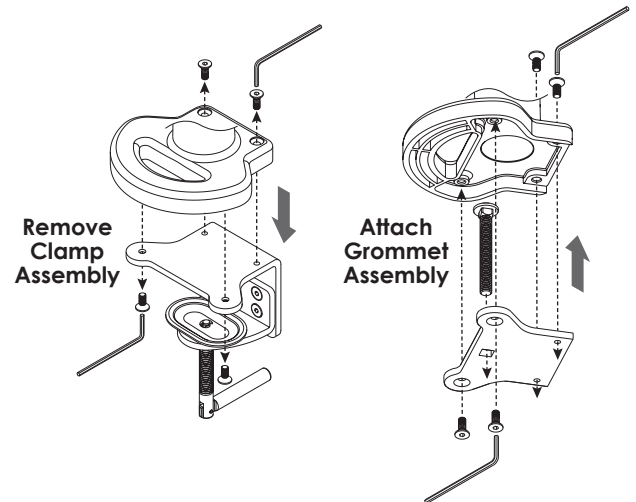


Remove Clamp Assembly

- Remove the standard clamp assembly from the base assembly. Use the 4mm Allen key to remove the four screws holding the clamp assembly in position (two on top, two on the bottom). Retain the four screws.

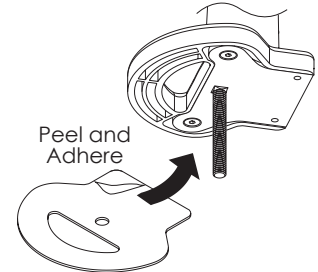
Attach Grommet Assembly

- Place the grommet bolt in the large center hole on the grommet mount plate.
- With the grommet bolt in position, fasten the grommet mount plate and bolt to the monitor arm base with the four screws previously removed. As before, use the 4mm Allen key.



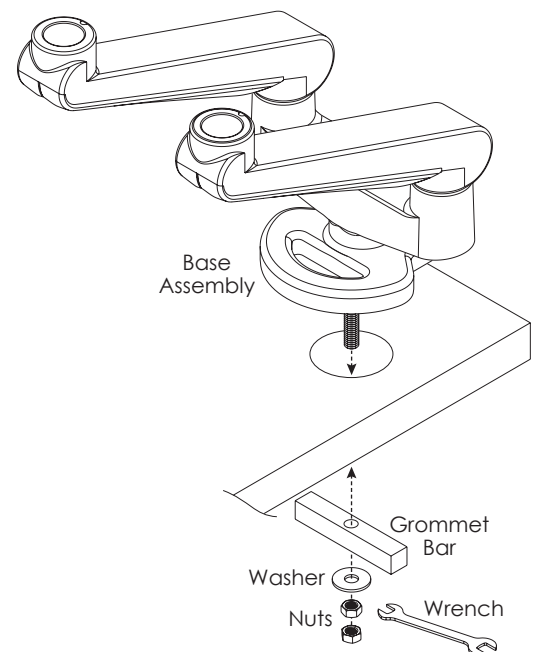
Attach Clamp Pad

- Peel the backing from the adhesive side of the clamp pad and adhere the pad to the bottom of the grommet mount plate, as shown. The pad protects the work surface.



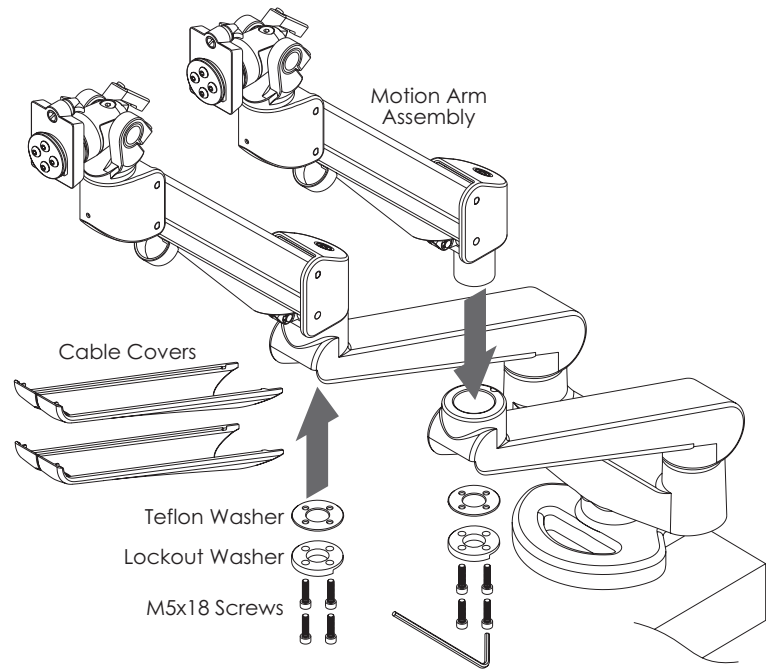
Install Base Assembly

- Place the base assembly over the grommet hole, with the bolt centered.
- The bolt must extend under the work surface a minimum of 1.3" (33mm).
- Secure the base assembly as illustrated.
 - Secure the grommet bar and washer with one of the grommet bolt nuts. Use the provided wrench to tighten the nut securely.
 - Tighten the second nut against the first to further secure the base assembly.
- Proceed to "Install Motion Arm Assemblies" on page 5.



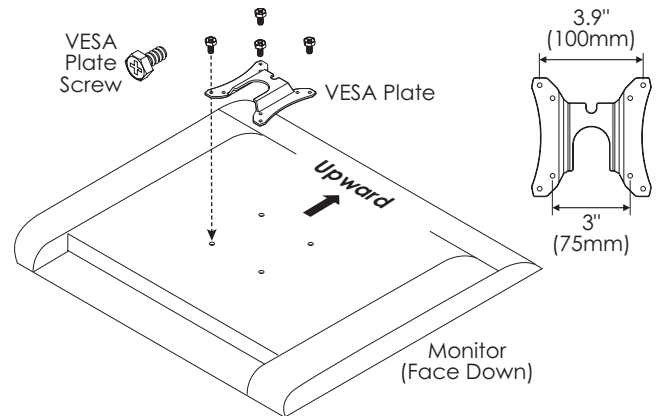
Install Motion Arm Assemblies

- Slide the cable covers from the fixed arms. Save them for future use.
- Insert the posts on the motion arm assemblies into the fixed arms.
- Secure the motion arm assemblies using the washers and M5x18 screws, as shown.
 - The cut-out portion of the lockout washers should be toward the rear.

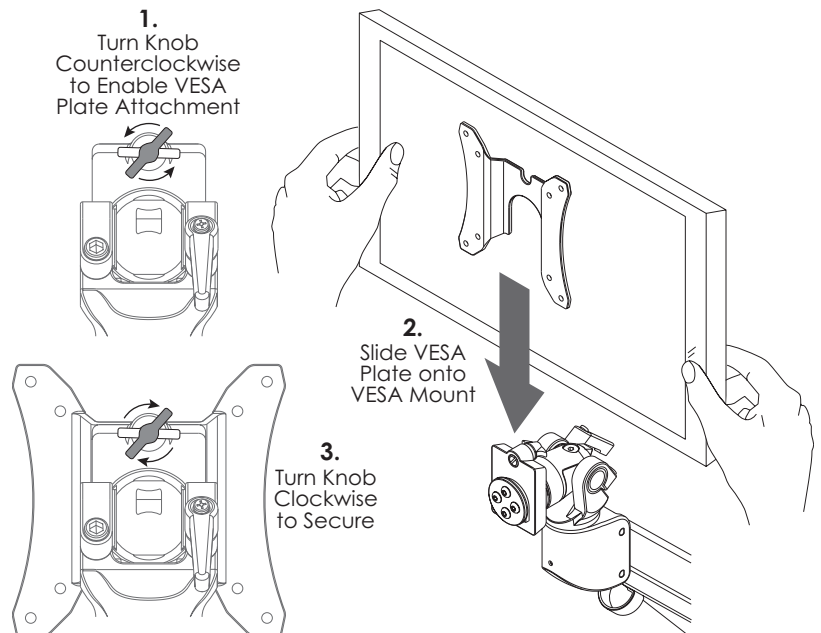


Attach Monitors to Motion Arms

- Place each monitor face down on a flat surface. Align the VESA plate holes with the holes on the back of the monitor. Attach each VESA plate using four VESA plate screws.
 - There are two sets of four holes on the VESA plate. One set has holes 3.9" (100mm) apart, the other set has holes 3" (75mm) apart. Use the set that matches the holes on the monitor.



- Turn the knob on the back of the VESA mount one-half turn counterclockwise to place it in the released position.
- Slide the VESA plate (with monitor attached) onto the VESA mount.
- Turn the knob on the back of the VESA mount one-half turn clockwise to secure the monitor in place.
- Repeat for the second monitor.



Tension Adjustments

There are three possible swivel and tilt tension adjustments for each monitor arm:

1. Monitor tilt adjustment

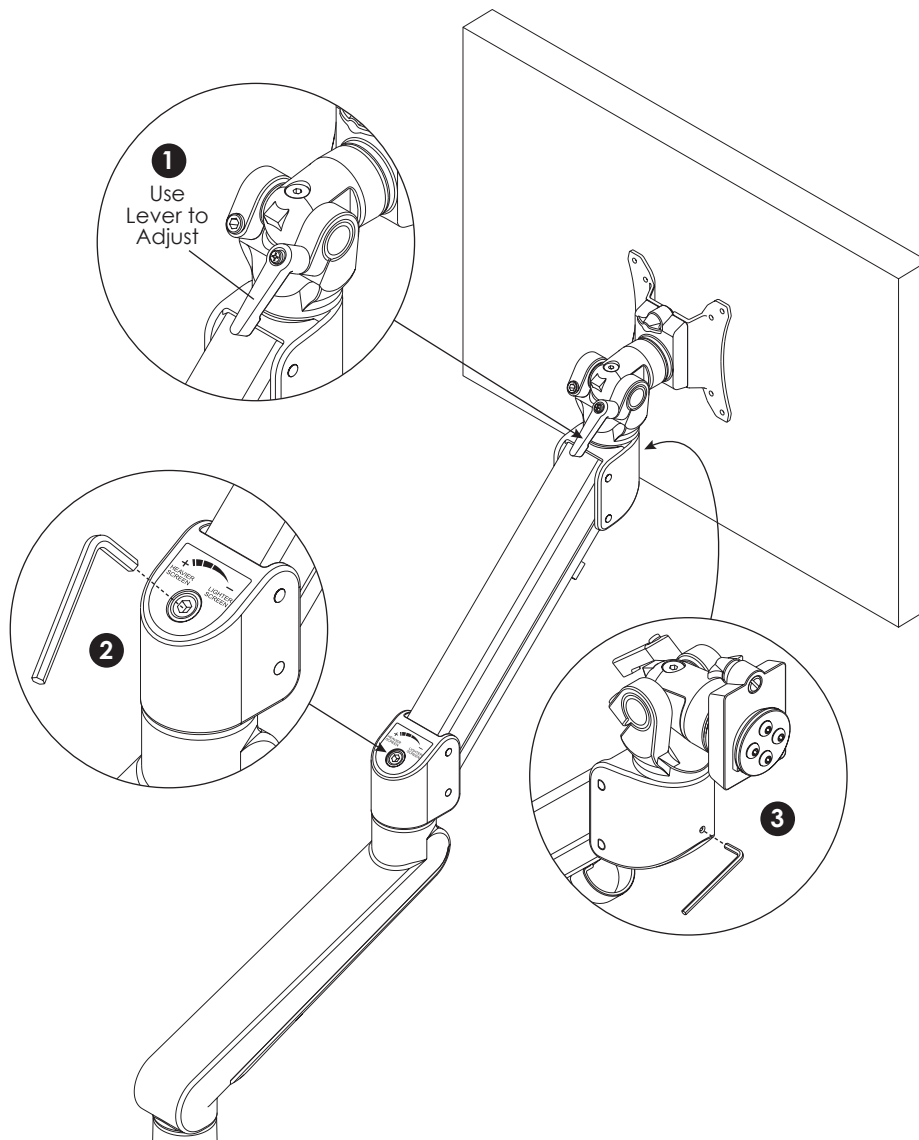
- Use the lever to adjust for the appropriate monitor weight — tighten for heavier monitors (clockwise) and loosen for lighter monitors (counterclockwise).

2. Monitor arm weight adjustment

- Use the 5mm Allen key to adjust the set screw for the appropriate monitor weight.
- Weight capacity per arm is 17.6 lbs to 44lbs (8 kg to 20 kg). Capacity may be reduced if monitor size is greater than 26" (66cm) or depth is greater than 2" (51mm).

3. Monitor swivel adjustment

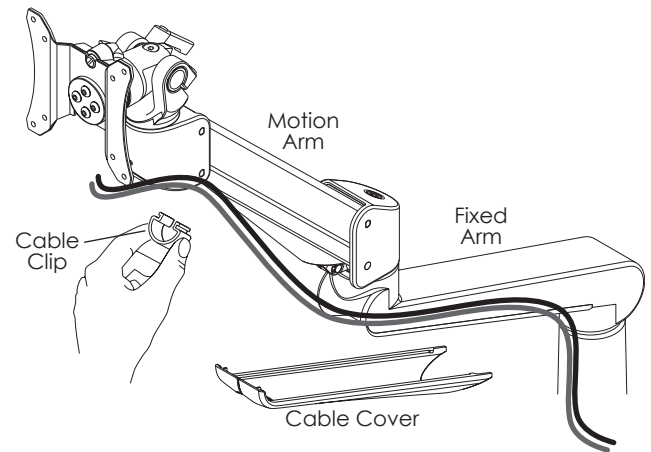
- Use the 2.5mm Allen key to adjust the set screw for the desired ease of motion rotation.



Cable Management

Use the cable clip and cable cover to help manage the monitor cables. The procedures below apply to each monitor arm.

- Pinch the cable clip to remove it from the motion arm, and again when re-installing it with the cables captured.
- Re-install the previously removed cable cover back onto the fixed arm with the cables captured.



Install Plastic Screw Covers

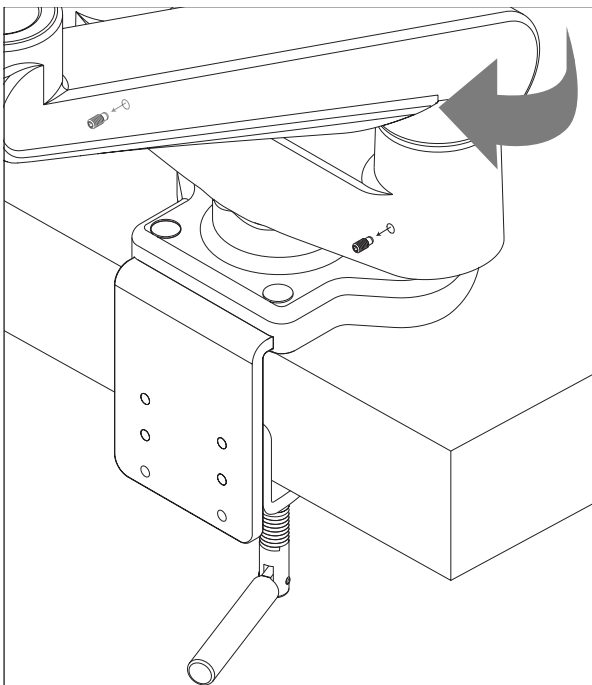
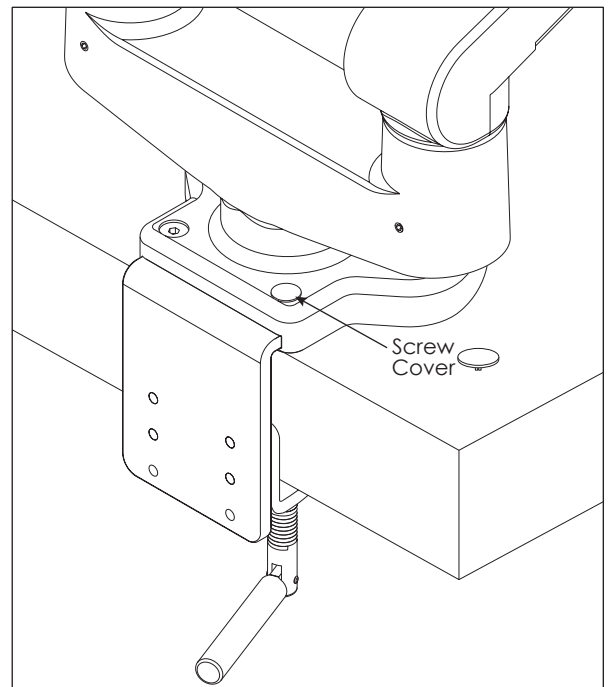
Two plastic screw covers are provided to cover the socket screws on top of the base assembly.

- Press the screw covers in place over the socket screws.

180° Rotation Optional

The base assembly comes pre-installed with 2 M5x8 locking screws allowing for 90° maximum arm rotation.

- Remove the M5x8 locking screws to enable 180° arm rotation.





Call Pacific Ergonomics

Phone: 619-546-0872

E-mail: customerservice@pacificergo.com

Website: www.pacificergo.com