



Victory™ LX 3-leg

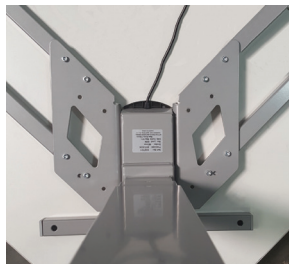
Electric height adjustable table base



VictoryLX 3-leg

Electric height adjustable table

esi



universal
corner bracket



drawers easily slide over feet



digital keypad



locking casters

Caster Kit

- Set of four casters for table base
- Increases height by 2.0"
- Locking casters for security

MODEL # CASTERKIT-LX-3LEG-SLV

MODEL # CASTERKIT-LX-3LEG-BLK

MODEL # CASTERKIT-LX-3LEG-WHT

Product specs

- Electric height adjustment
- 330 lb. base lifting capacity
- 1.4"/sec adjustment speed
- 26.0" height adjustment range
 - 21.5"–47.5" (low/high) (excluding worksurface)
- Three stage adjustable legs
- C-leg
- Adjustable width frame accommodates worksurfaces 48.0"–84.0"
- Three motors
- Soft start and stop
- Anti-collision safety feature
- Locking casters available
- Low standby power consumption
- ADA compliant
- 8'9" power cord
- Table base is UL962 listed
- Meets or exceeds BIFMA x5.5, GI and CSA CAN/CGSB44.227
- Works with peds or storage with 20.0" max. height
- Steel frame and foot construction
- Digital keypad with three memory settings
- Keypad can slide under worksurface to store out of the way
- Complete tables available (base and top)
- Warranty: 15 yr. (structural)/7 yr. (mechanical)

Available base finishes

- Silver -SLV
- Black -BLK
- White -WHT

VictoryLX 3-leg

Electric height adjustable table



Table bases		Available worksurfaces				
Table base model	Worksurface shape	Worksurface dimension	TFL standard		HPL standard	HPL premium
			Quick ship	Standard ship	Standard ship	Standard ship
3VT-LX-C4848-24-____		60"wl x 60"wr x 24"d	-	3EC606024-TFL-__	3EC606024-HPL-__	3EC606024-PHPL-__
		72"wl x 72"wr x 24"d	-	3EC7224-TFL-__	3EC727224-HPL-__	3EC727224-PHPL-__
3VT-LX-C4848-30-____	Equal Corner 	60"wl x 60"wr x 30"d	-	3EC606024-TFL-__	3EC606030-HPL-__	3EC606030-PHPL-__
		72"wl x 72"wr x 30"d	-	3EC727230-TFL-__	3EC727230-HPL-__	3EC727230-PHPL-__
3VT-LX-C3636-24-____		48"w x 24"d	-	120-4824-TFL-__	120-4824-HPL-__	120-4824-PHPL-__
3VT-LX-C4848-24-____		60"w x 24"d	-	-	120-6024-HPL-__	120-6024-PHPL-__
		72"w x 24"d	-	-	120-7224-HPL-__	120-7224-PHPL-__
3VT-LX-C3636-30-____	120° 	48"w x 30"d	-	-	120-4830-HPL-__	120-4830-PHPL-__
		60"w x 30"d	-	-	120-6030-HPL-__	120-6030-PHPL-__
3VT-LX-C4848-30-____		60"w x 30"d	-	-	120-6030-HPL-__	120-6030-PHPL-__
		72"w x 30"d	-	-	120-7230-HPL-__	120-7230-PHPL-__
3VT-LX-C3636-2430-____		30.0"/24.0"				
3VT-LX-C4848-2430-____		24.0"/30.0"				
3VT-LX-C4836-2430-____						

Please contact our Customer Service Department to specify the dimensions and laminates for this style of worksurface

Worksurface Program

Multiple worksurface shapes and laminates are available. See the Complete Table & Worksurface Ordering Guide for worksurface details including pricing and laminate colors. TFL quick ship worksurfaces are shipped out in 48 hours, TFL standard and HPL standard/premium worksurfaces ship within three weeks. Lead time may vary depending on quantities ordered and their availability

Table bases and worksurfaces can be purchased independently or as a combination.

ESI worksurfaces are made to exact dimensions. If nominal sizing is needed, please specify when ordering.

VictoryLX 3-leg

Electric height adjustable table



Table bases		Available worksurfaces				
Table base model	Worksurface shape	Worksurface dimension	TFL standard		HPL standard	HPL premium
			Quick ship	Standard ship	Standard ship	Standard ship
3VT-LX-C4836-24-___		60"wr x 48"wl x 24"d	-	3OCL604824-TFL-__	3OCL604824-HPL-__	3OCL604824-PHPL-__
		72"wl x 48"wr x 24"d	-	3OCL724824-TFL-__	3OCL724824-HPL-__	3OCL724824-PHPL-__
		72"wl x 60"wr x 24"d	-	3OCL726024-TFL-__	3OCL726024-HPL-__	3OCL726024-PHPL-__
3VT-LX-C4848-24-___		84"wl x 48"wr x 24"d	-	3OCL844824-TFL-__	3OCL844824-HPL-__	3OCL844824-PHPL-__
		84"wl x 60"wr x 24"d	-	-	3OCL846024-HPL-__	3OCL846024-PHPL-__
3VT-LX-C4836-30-___	Offset Corner Leftt	60"wl x 48"wr x 30"d	-	3OCL604830-TFL-__	3OCL604830-HPL-__	3OCL604830-PHPL-__
		72"wl x 48"wr x 30"d	-	3OCL724830-TFL-__	3OCL724830-HPL-__	3OCL724830-PHPL-__
		72"wl x 60"wr x 30"d	-	3OCL726030-TFL-__	3OCL726030-HPL-__	3OCL726030-PHPL-__
3VT-LX-C4848-30-___		84"wl x 48"wr x 30"d	-	-	3OCL844830-HPL-__	3OCL844830-PHPL-__
		84"wl x 60"wr x 30"d	-	-	3OCL846030-HPL-__	3OCL846030-PHPL-__
3VT-LX-C4836-24-___		48"wl x 60"wr x 24"d	-	3OCR486024-TFL-__	3OCR486024-HPL-__	3OCR486024-PHPL-__
		48"wl x 72"wr x 24"d	-	3OCR487224-TFL-__	3OCR487224-HPL-__	3OCR487224-PHPL-__
		48"wl x 84"wr x 24"d	-	3OCR607224-TFL-__	3OCR607224-HPL-__	3OCR607224-PHPL-__
3VT-LX-C4848-24-___		60"wl x 72"wr x 24"d	-	3OCR488424-TFL-__	3OCR488424-HPL-__	3OCR488424-PHPL-__
		60"wl x 84"wr x 24"d	-	-	3OCR608424-HPL-__	3OCR608424-PHPL-__
3VT-LX-C4836-30-___	Offset Corner Right	48"wl x 60"wr x 30"d	-	3OCR486030-TFL-__	3OCR486030-HPL-__	3OCR486030-PHPL-__
		48"wl x 72"wr x 30"d	-	3OCR487230-TFL-__	3OCR487230-HPL-__	3OCR487230-PHPL-__
		48"wl x 84"wr x 30"d	-	3OCR607230-TFL-__	3OCR607230-HPL-__	3OCR607230-PHPL-__
3VT-LX-C4848-30-___		60"wl x 72"wr x 30"d	-	-	3OCR488430-HPL-__	3OCR488430-PHPL-__
		60"wl x 84"wr x 30"d	-	-	3OCR608430-HPL-__	3OCR608430-PHPL-__

Worksurface Program

Multiple worksurface shapes and laminates are available. See the Complete Table & Worksurface Ordering Guide for worksurface details including pricing and laminate colors. TFL quick ship worksurfaces are shipped out in 48 hours, TFL standard and HPL standard/premium worksurfaces ship within three weeks. Lead time may vary depending on quantities ordered and their availability

Table bases and worksurfaces can be purchased independently or as a combination.

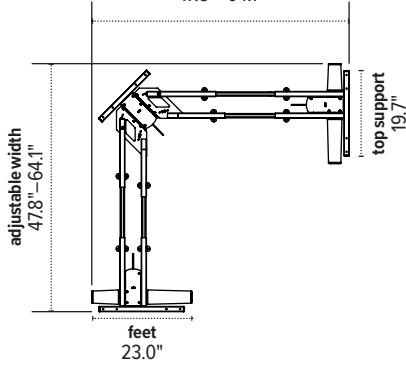
ESI worksurfaces are made to exact dimensions. If nominal sizing is needed, please specify when ordering.

VictoryLX 3-leg

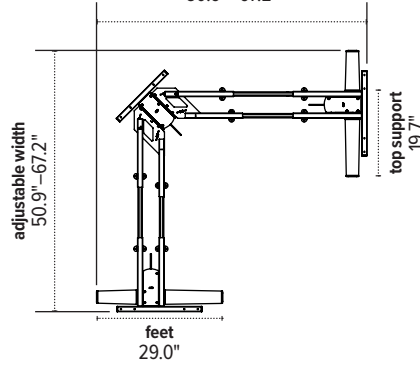
Electric height adjustable table



3VT-LX-C3636-24
adjustable width
47.8"–64.1"

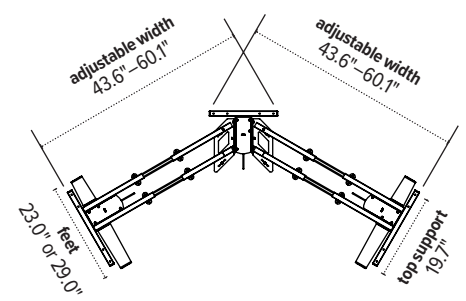


3VT-LX-C3636-30
adjustable width
50.9"–67.2"

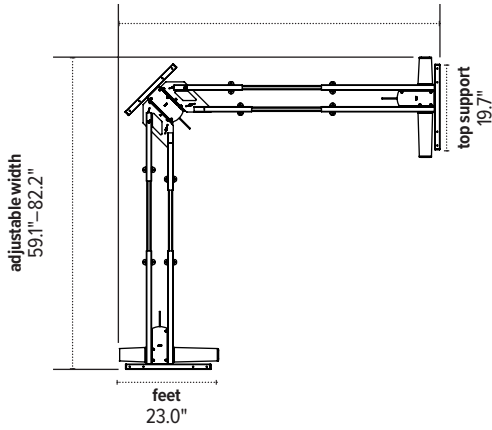


3VT-LX-C3636-24 & 3VT-LX-C3636-24

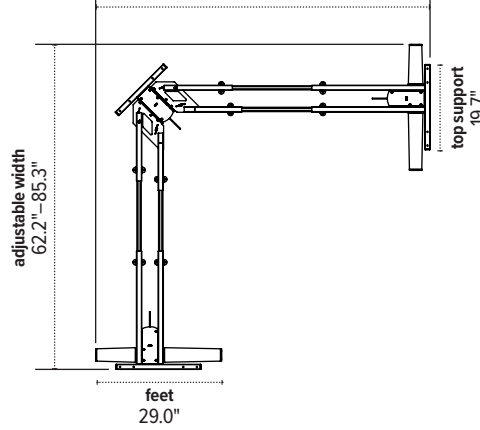
120° CONFIGURATION



3VT-LX-C4848-24
adjustable width
59.1"–82.2"

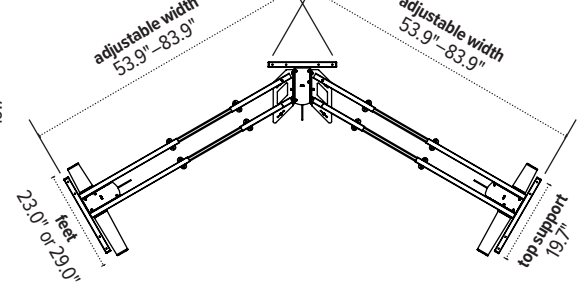


3VT-LX-C4848-30
adjustable width
62.2"–85.3"

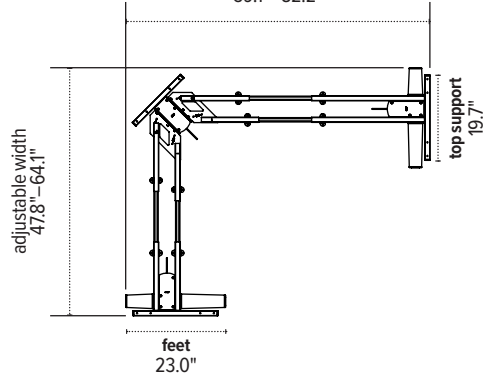


3VT-LX-C4848-24 & 3VT-LX-C4848-30

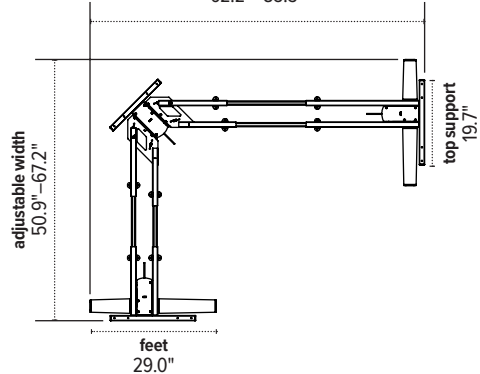
120° CONFIGURATION



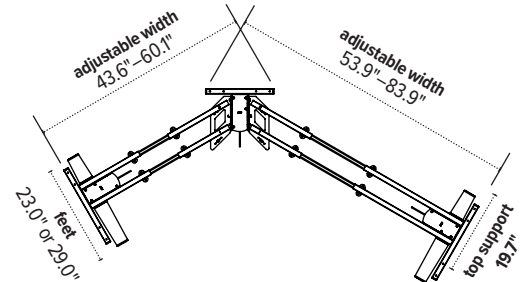
3VT-LX-C4836-24
Reversible configuration
adjustable width
59.1"–82.2"



3VT-LX-C4836-30
Reversible configuration
adjustable width
62.2"–85.3"



3VT-LX-C4836-24 & 3VT-LX-C4836-24
Reversible configuration(s)



Pacific Ergonomics, Inc.

10211 Pacific Mesa Blvd
San Diego, CA 92121

www.pacificergo.com

customerservice@pacificergo.com

Call 619-546-0872 Ext: 101